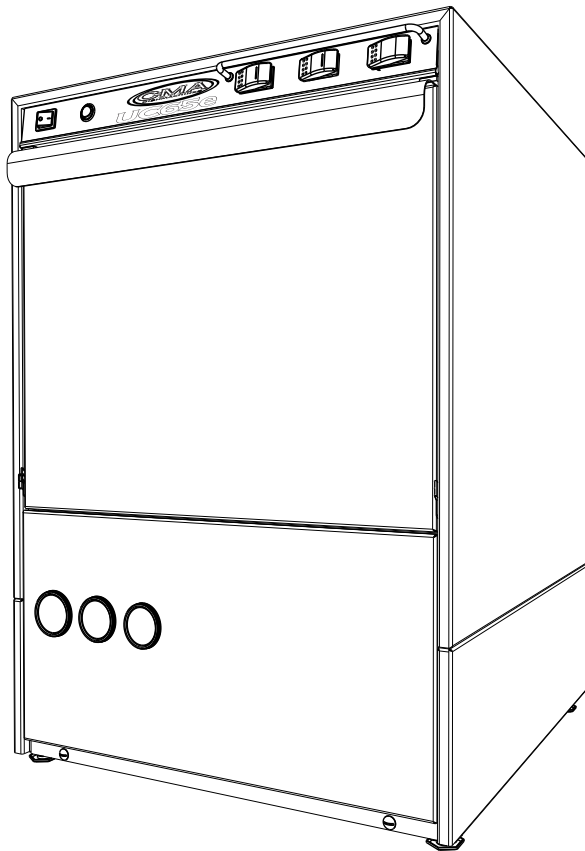




CMA Dishmachines
12700 Knott Avenue
Garden Grove, CA 92841

Toll Free: 1- (800) 854-6417
Fax: 1- (714) 895-2141

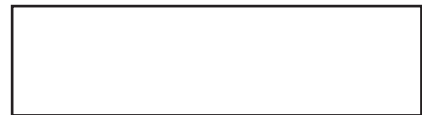
Service Replacement Parts



**Undercounter
High Temperature
Dishwasher**

Model:

UC65e M2



Machine Serial No.



Issue Date: 08.11.2021

Manual P/N 10310.00 rev. B

For machines beginning with S/N W160861096 and above

0513903/A

CMA Dishmachines
12700 Knott Avenue
Garden Grove, CA 92841
Toll Free: 1 (800) 854-6417
Fax: 1 (714) 895-2141

Buy Parts

Printed in the USA



The Spirit of Excellence

For future reference, record your dishwasher information in the box below.

Model Number _____	Serial Number _____
Voltage _____ Hertz _____	Phase _____
Service Agent _____	Tel: _____
Parts Distributor _____	Tel: _____

National Service Department

CMA Dishmachines
12700 Knott Avenue
Garden Grove, CA 92841
Toll-free: 1 (800) 854-6417
Fax: 1 (714) 895-2141

ATTENTION:

The model no., serial no., voltage, Hz and phase are needed to identify your machine and to answer questions.

The machine data plate is located on the lower front panel.

Please have this information ready if you call for service assistance.

[Buy Parts](#)

Revision History

- The Revision History can contain part number changes, new instructions, or information that was not available at print time.
- We reserve the right to make changes to these instructions without notice and without incurring any liability by making the changes..
- Equipment owners may request a revised manual, at no charge, by calling CMA Dishmachines at 1 (800) 854-6417.

<i>Revision Date</i>	<i>Revised Pages</i>	<i>Serial Number Effectivity</i>	<i>Revision Description</i>
8.25.16	All	W160861096	Released First Edition.
10.10.16	31	All	Changed Item 6 to P/N 13658.00.
10.31.16	All	All	Reviewed and updated parts lists.
4.6.17	2	All	Added GFI breaker to Item 2.
9.12.17	17, 48, 49	All	Removed PRV data.

Model Description

Model Description

UC65e M2

High temperature hot water sanitizing dishwasher with built-in 40°F/22°C rise booster heater.
208-240VAC/60/1

Table of Contents

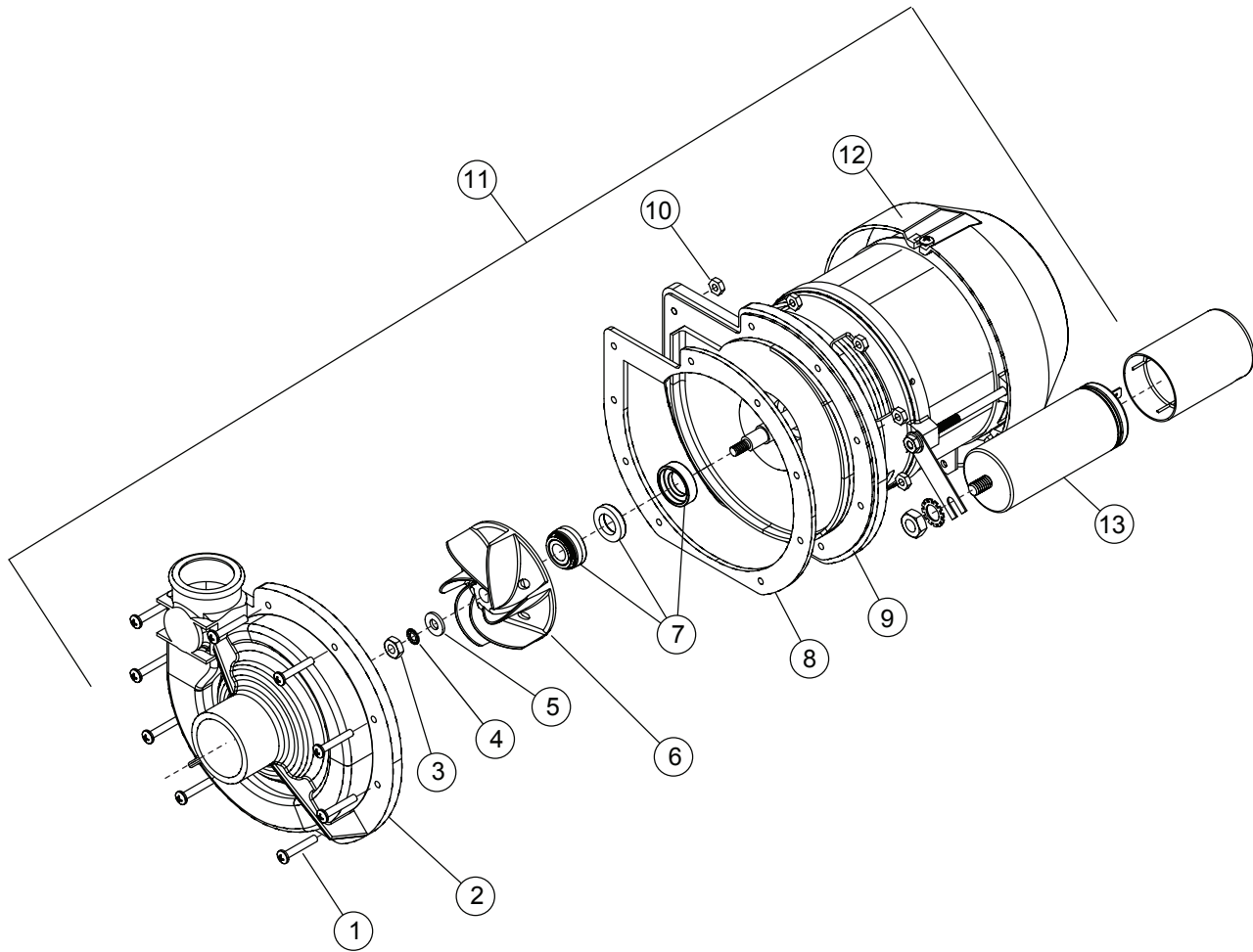
Model UC65e M2 Undercounter Dishwasher

<i>Revision History</i>	<i>i</i>
<i>Model Descriptions</i>	<i>ii</i>
Service Replacement Parts	19

Service Replacement Parts

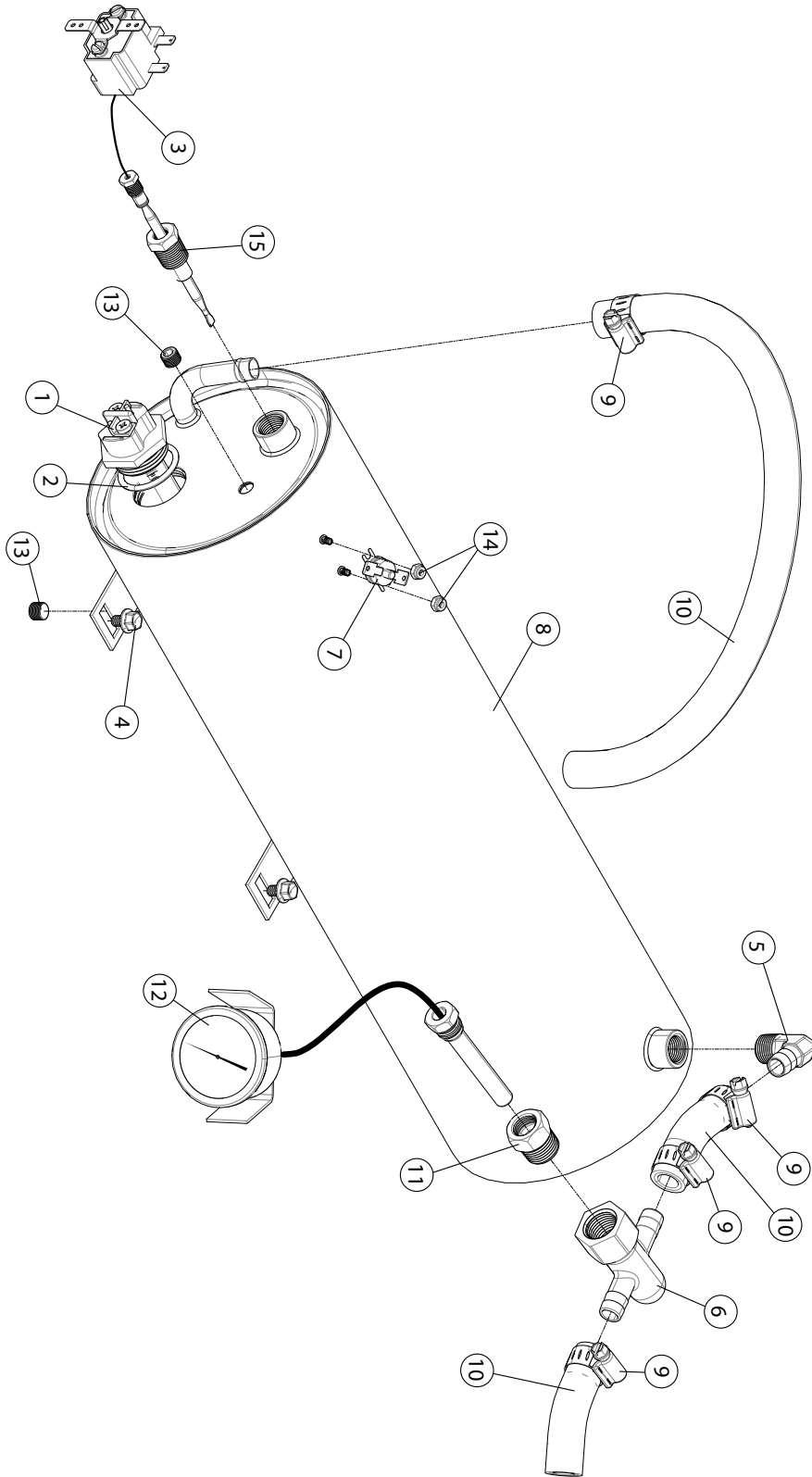
<i>Illustrations</i>	<i>Page</i>
Wash Pump/Motor	20
Booster	22
Power Box Wiring	24
Electrical Panel and Timer	26
Control Panel.....	28
Upper Final Rinse Piping.....	30
Wash and Rinse Spray Arms.....	32
Drain Pump and Hoses	34
Wash Tank Heater and Drain.....	36
Fill Solenoid Valve	38
Detergent Pump	40
Rinse-aid Pump	42
Panels.....	44
Door.....	46
Dish racks, Line Strainer and PRV	48

Wash Pump/Motor



Item No.	Part No.	Description	Qty.
1	02103.01	SCREW, M4, PHIL, PAN HEAD.	9
2	02103.02	IMPELLER HOUSING COVER	1
3	02103.03	NUT, M6 (left-hand threads)	1
4	02103.04	WASHER, LOCK, 1/4"	1
5	02103.05	WASHER, PLAIN, M6	1
6	02103.06	IMPELLER	1
7	02103.07	SEAL	1
8	02103.30	GASKET, PUMP	1
9	02103.09	BACKPLATE, PUMP	1
10	02103.08	NUT, M4	9
11	02103.10	PUMP/MOTOR ASSEMBLY COMPLETE, 220VAC/60/1	1
12	02103.37	COVER, REAR MOTOR FAN	1
13	02103.11	CAPACITOR 16 μ F	1

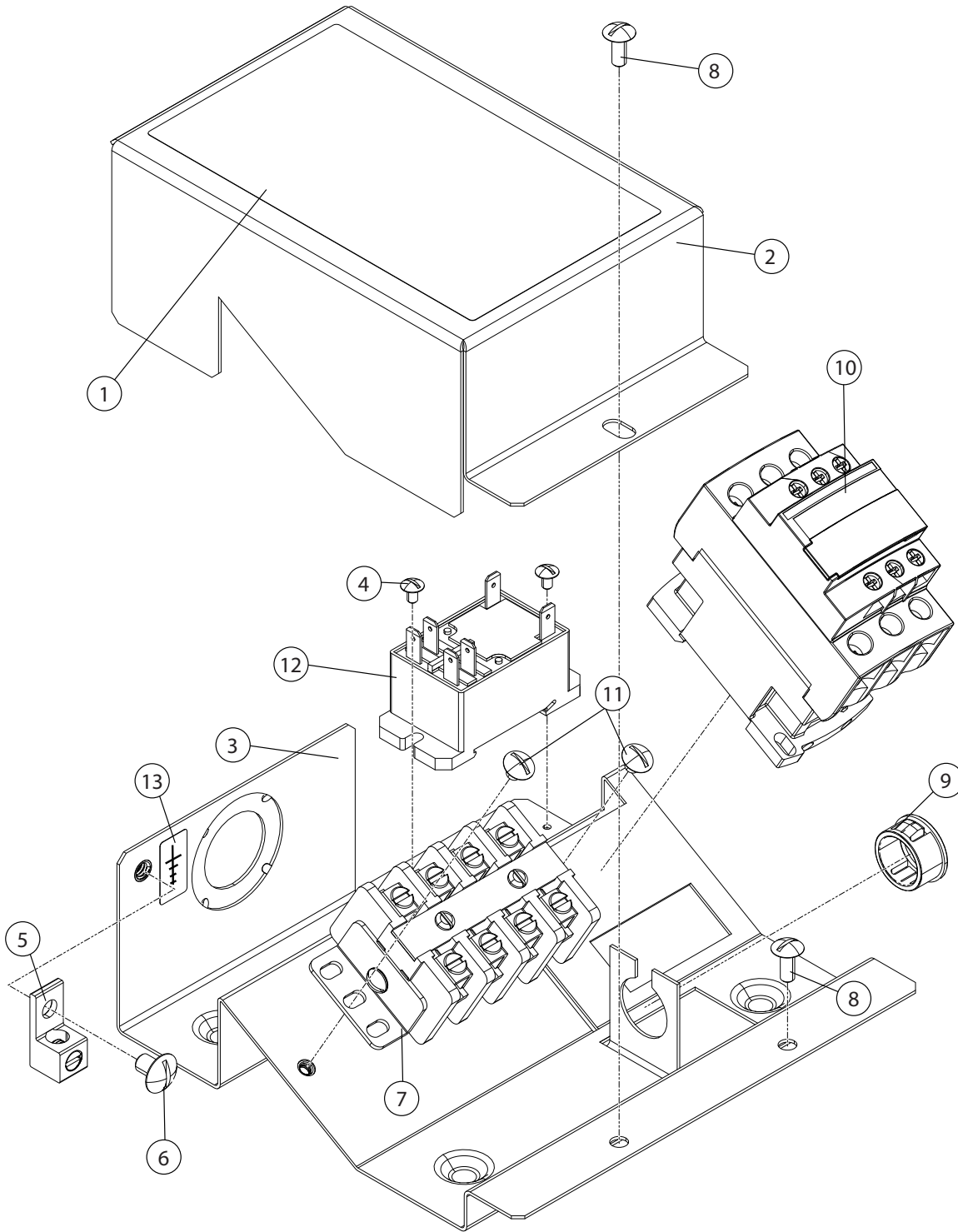
Booster



Item No.	Part No.	Description	Qty.
1	02103.12	HEATER, BOOSTER 4kW, 208V, 40°F RISE (Does not include gasket)	1
1	02103.13*	HEATER, BOOSTER 6kW, 208V, 70°F RISE (Does not include gasket)	1
2	02103.14	GASKET, BOOSTER HEATER	1
3	02103.15	THERMOSTAT, CONTROL 195°F	1
4	02103.16	BOLT, HEX FLANGE, 1/4-20 X 3/8"	1
5	40012.10	ELBOW, 3/8" NPT X 1/2" HOSE	1
6	02103.23	TEE, RINSE THERMOMETER	1
7	02103.19	THERMOSTAT, HI-LIMIT FIXED SNAP 240°F	1
8	02106.01	TANK, BOOSTER WELDMENT	1
9	02103.21	CLAMP, GEAR-TYPE, 7/16" SST	3
10	02103.22	HOSE, 1/2" ID	A/R
11	02103.24	FITTING, BOOSTER THERMOMETER	1
12	02103.25	THERMOMETER, 2" DIAL, 7' CAPILLARY	1
13	03232.00	PLUG, 1/8"	2
14	00965.00	NUT, 6-32 W/NYLON INSERT	2
15	02103.28	FITTING, BOOSTER THERMOSTAT	1

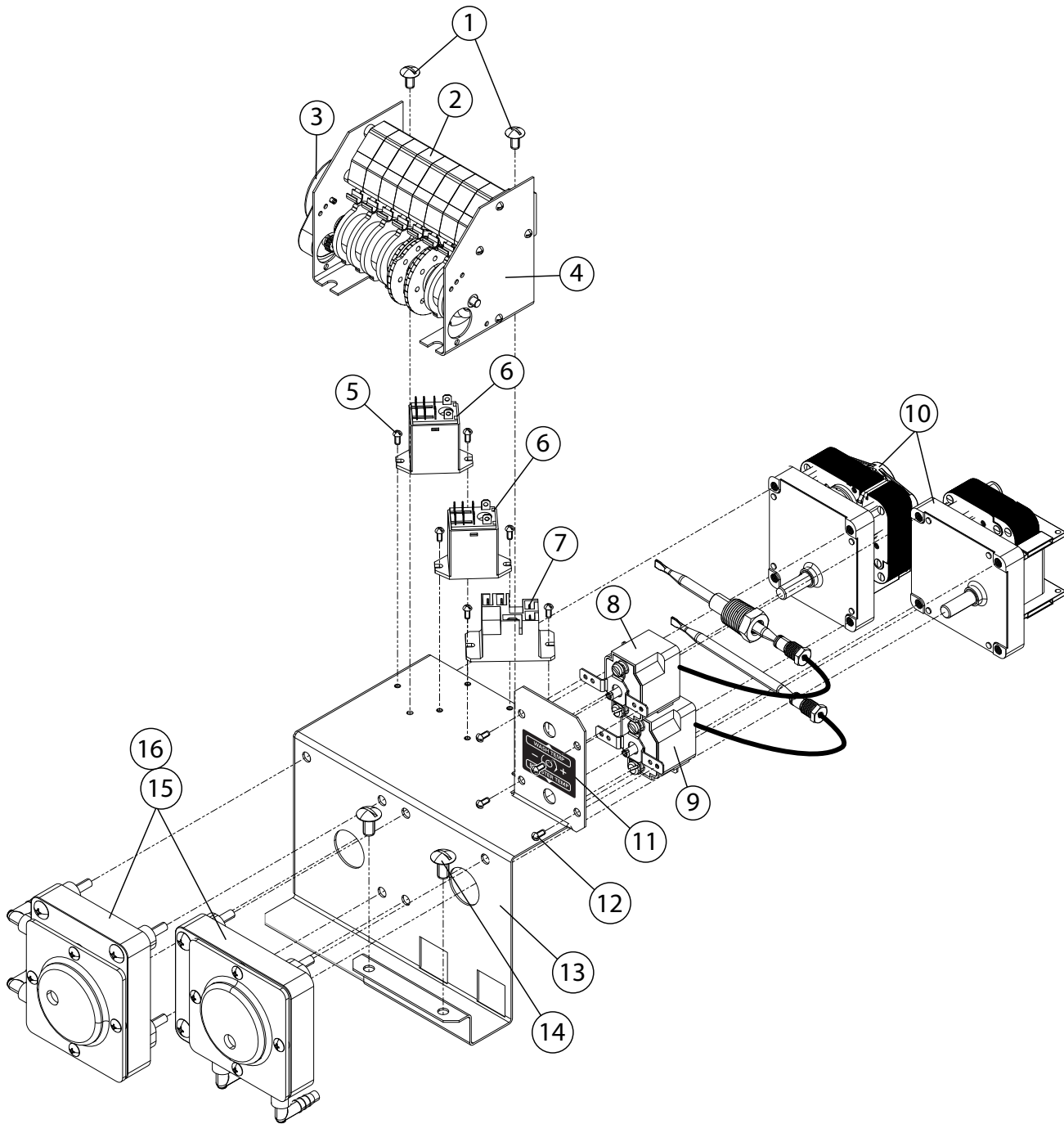
* When the 6kW element is used the minimum supply circuit Ampacity and Overcurrent protection will need to increase to use a 40 Amp Breaker.

Power Wiring Box



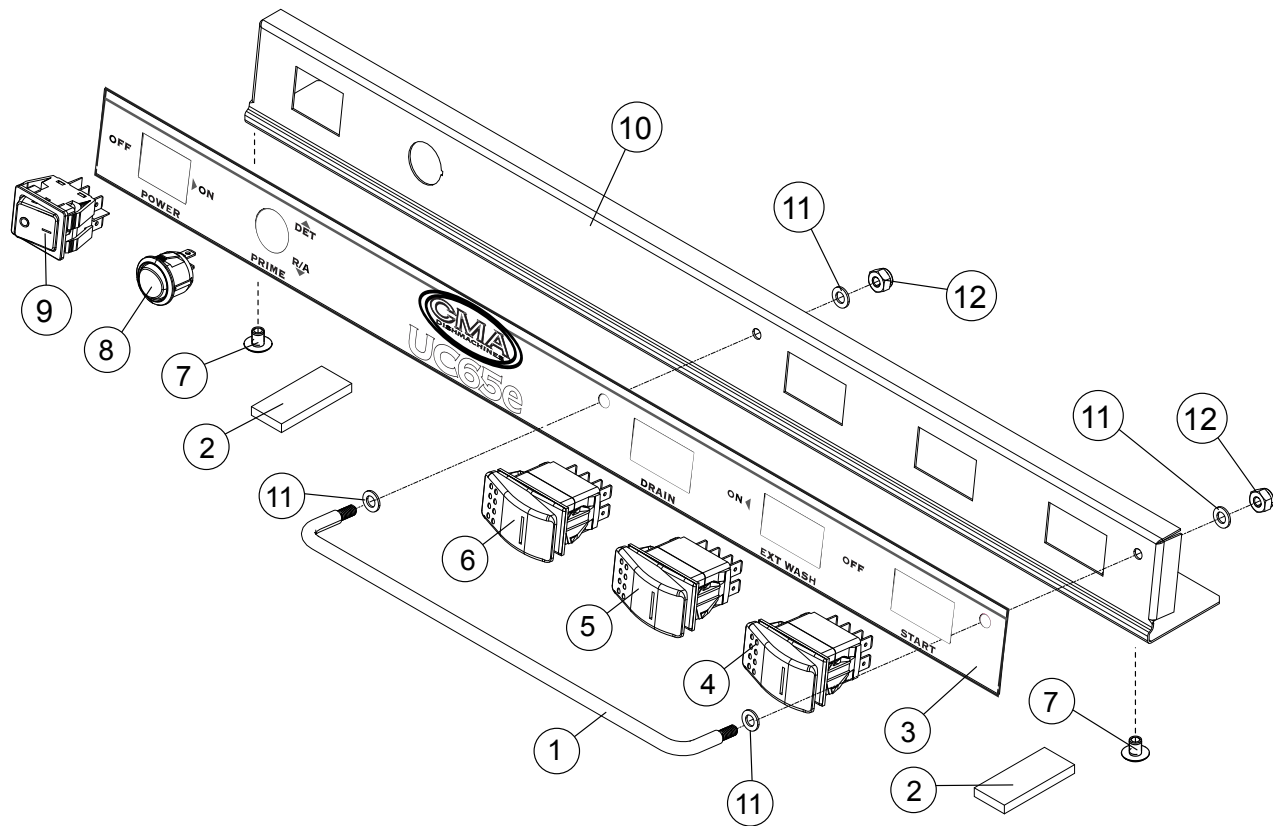
Item No.	Part No.	Description	Qty.
1	02106.02	LABEL, CONNECTION BOX	1
2	02106.03	COVER, BOX WIRING	1
3	02106.04	BOX, WIRING	1
4	00421.51	SCREW, 6-32 X 1/4"	2
5	13426.50	LUG, GROUND	1
6	00905.82	SCREW, 1/4-20 X 3/8"	1
7	02106.05	BLOCK, TERMINAL, 4-POLE	1
8	00940.50	SCREW, 10-32 X 3/8", TRUSS HEAD.	2
9	02106.15	BUSHING, STRAIN RELIEF, SMALL	A/R
10	02103.48	CONTACTOR, 3-POLE , 25/40A, 120VAC COIL	1
11	00940.00	SCREW, 10-32 X 1/4"	2
12	02106.06	RELAY, DPDT, 30A, 120VAC COIL	1
13	06202.46	LABEL, GROUND	1

Electrical Panel and Timer



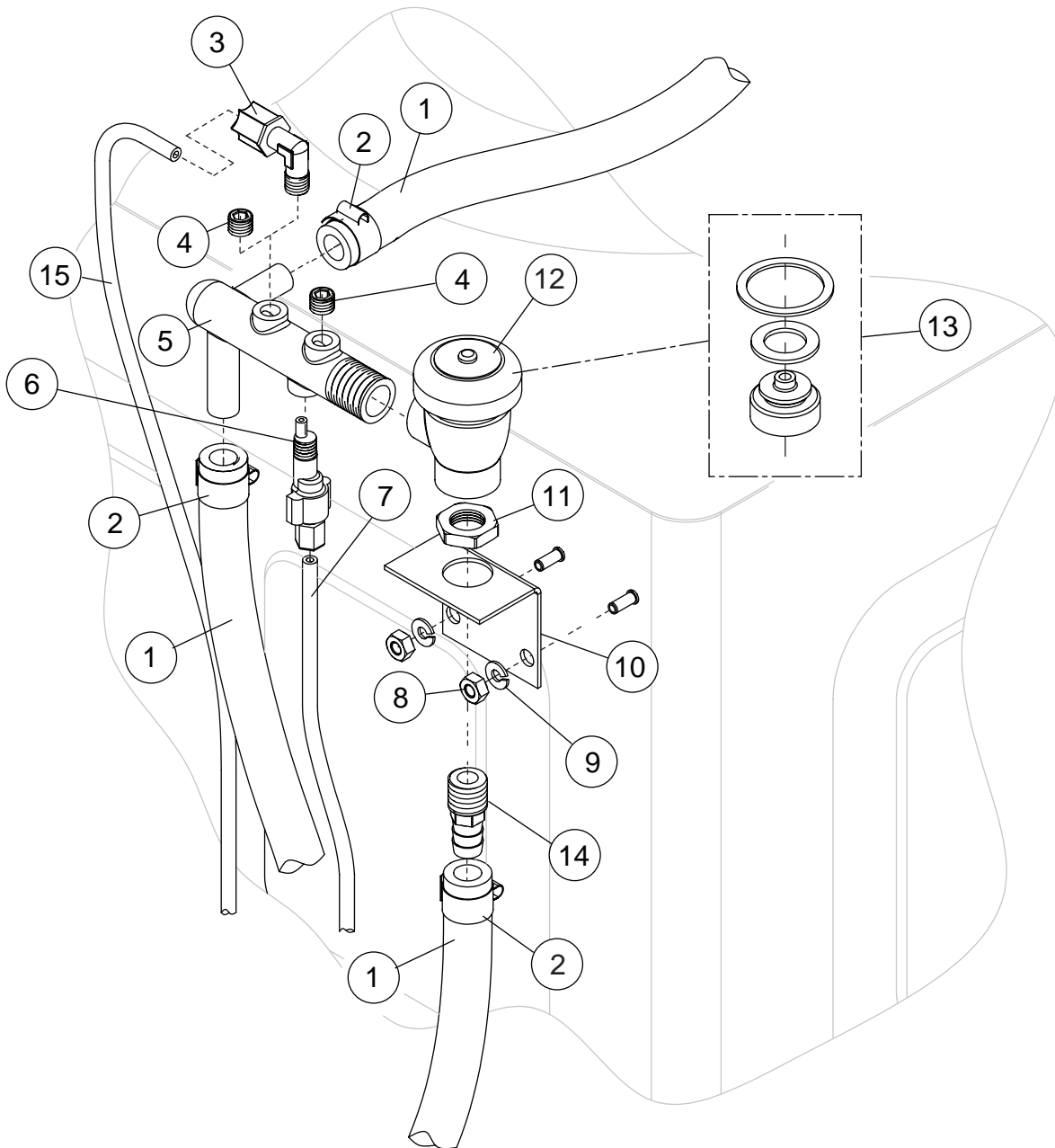
Item No.	Part No.	Description	Qty.
1	02103.93	SCREW, TRUSS HEAD, 8-32 X 1/4"	2
2	00411.00	SWITCH, TIMER	8
3	00501.00	MOTOR, TIMER	1
4	00408.60	ASSEMBLY, TIMER (Includes Items 2, 3)	1
5	00907.00	SCREW, 6-32 X 1/2"	6
6	00631.00	RELAY, 120VAC, 2PDT	2
7	02103.40	RELAY, 15 AMP, 120VAC COIL	1
8	43030.00	THERMOSTAT, WASH	1
9	02103.15	THERMOSTAT, BOOSTER 195°F	1
10	00416.00	MOTOR, PERI-PUMP 115VAC	2
11	02106.07	LABEL, WASH-RINSE TEMPERATURE	1
12	00907.50	SCREW, 6-32 X 3/8" PAN HEAD PHIL.	4
13	02106.08	BRACKET	1
14	00940.50	SCREW, 10-32 X 3/8", TRUSS HEAD.	2
15	00415.00	ASSY. PERI-PUMP (Includes Item 16 & 10)	2
16	02257.00	TUBE, SQUEEZE 8"	2

Control Panel



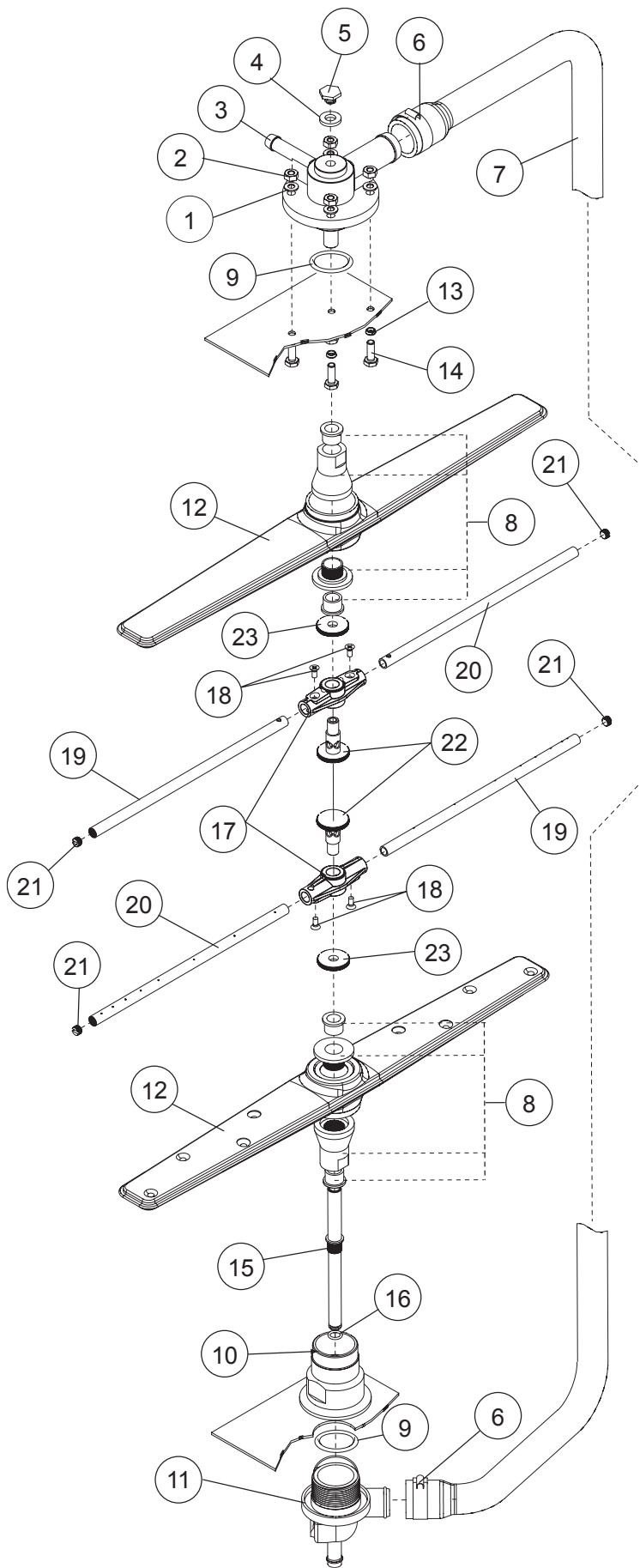
Item No.	Part No.	Description	Qty.
1	03485.00	GUARD, SWITCH (Includes items 11 & 12)	1
2	02103.58	GASKET, STEAM	2
3	02106.09	LABEL, FACIA, UC65e M2	1
4	15523.00	SWITCH, ROCKER, START MOMENTARY	1
5	15524.00	SWITCH, ROCKER, MAINTAINED	1
6	15523.50	SWITCH, ROCKER, DRAIN/FILL	1
7	00911.10	SCREW, TRUSS SLOT, 8-32 X 3/8"	2
8	02103.57	SWITCH, MOMENTARY (PRIME)	1
9	02103.50	SWITCH, ON-OFF	1
10	02106.10	PANEL, FACIA, UC65e M2	1
11	N/A	#10 WASHER	4
12	03801.00	10-32 LOCK NUT	2

Upper Final Rinse Piping



Item No.	Part No.	Description	Qty.
1	03107.50	HOSE, RUBBER 1/2ID X .84OD	A/R
2	03101.47	CLAMP, GEAR	6
3	02103.62	FITT COMP 1/4OD X 1/8MPT ELL J	1
4	03232.00	PLUG, 1/8 HEX COUNTERSUNK	1
5	02103.64	MANIFOLD, RINSE	1
6	02103.65	INJECTOR FITTING	1
7	00425.54	TUBING, 1/4" NATURAL	A/R
8	00923.50	NUT, KEP 1/4-20	2
9	02103.04	WASHER, SPLIT LOCK 1/4i 304SS	2
10	02103.69	BRACKET, VACUUM BREAKER	1
11	00721.00	NUT, JAMB 1/2"	1
12	02103.71	VACUUM BREAKER, 1/2" BRASS	1
13	02103.72	REPAIR KIT, VACUUM BREAKER 1/2"	1
14	40014.00	COUPLER 1/2 MPT X 1/2" HOSE	1

Wash and Rinse Spray Arms

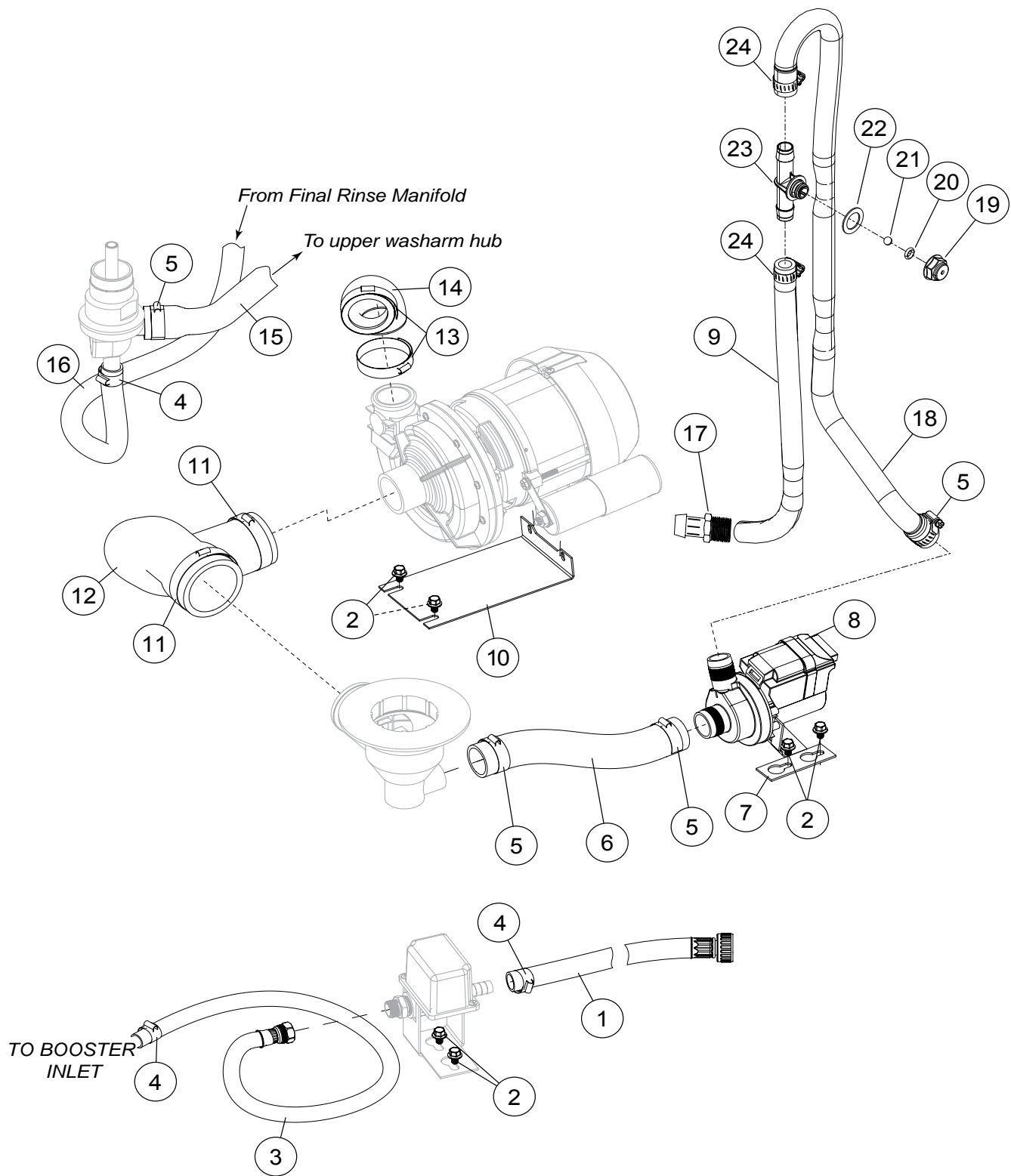


Item No.	Part No.	Description	Qty.
1	00426.00	WASHER, 5/16" SS WASHER	4
2	00912.00	NUT, 1/40-20 NYLON LOCK NUT	4
3	02103.77	HUB, UPPER WASH ARM	1
4	02103.78	WASHER, PACKING	1
5	02103.79	SCREW, RETAINING	1
6	50109.00	CLAMP, HOSE #28	2
7	02103.81	HOSE, UPPER WASH ARM	1
8*	02103.82	BEARING ASSEMBLY	2
9	02103.83	O-RING, 2-1/8" OD X 1-3/4" ID X 3/16"	2
10	02103.84	HUB, LOWER WASH ARM	1
11	02103.85	MANIFOLD, LOWER FWR	1
12	02103.86	WASH ARM ASSEMBLY (Includes Item 8)	2
13	02103.88	WASHER, NYLITE	4
14	02103.89	BOLT, 1/4-20 X 1"	4
15	02103.90	SHAFT, LOWER	1
16	02103.91	O-RING	1
17	02103.92	HUB, RINSE ARM, MOLDED	2
18	02103.93	SCREW, TRUSS HEAD 8-32 X 1/4"	4
19	02103.94	ARM, RIGHT-HAND RINSE (7 JETS)	2
20	02103.95	ARM, LEFT-HAND RINSE (8 JETS)	2
21	02103.96	CAP, RINSE ARM, 5/16-24	4
22	02103.97	SPINDLE, RINSE ARM	2
23	02103.98	SPACER, NUT	2
---	02103.99	RINSE ARM ASSEMBLY (Includes Items 18-23)	2

** Note:*

The bearing assembly, P/N 2103.82 includes 2 bearings, 1 locknut, and 1 wash arm hub. The bearings, locknut and hub are not available as separate service replacement parts.

Drain Pump and Hoses



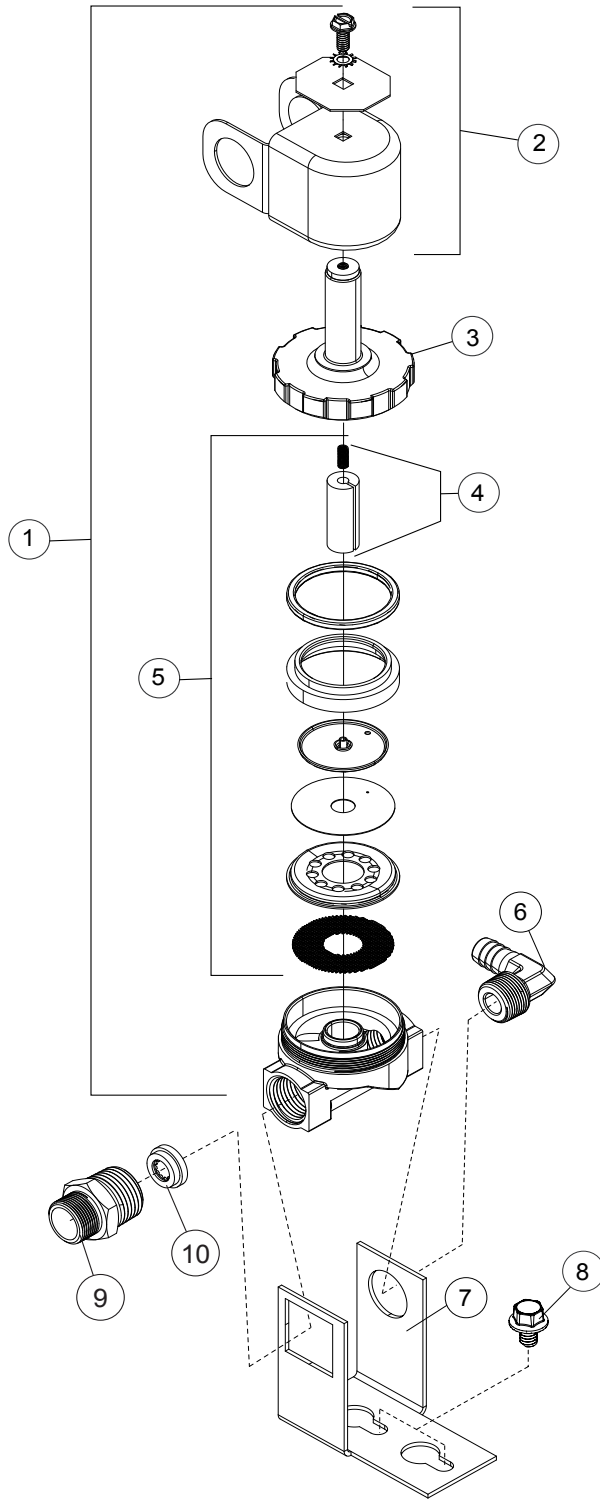
Item No.	Part No.	Description	Qty.
1	02104.00	HOSE, FILL 1/2" X 7' C/W 3/4" FNPS	1
2	02103.16	BOLT, HEX FLANGE, 1/4-20 X 3/8"	4
3	02103.18	HOSE, BOOSTER FILL, 1/2" X 1'	1
4	03101.47	CLAMP, HOSE GEAR-TYPE 5/16"	3
5	03101.00	CLAMP, HOSE GEAR-TYPE, 1"	3
6	02104.05	HOSE, DRAIN PUMP SUCTION	1
7	02104.06	BRACKET, DRAIN PUMP	1
8	02104.07	PUMP, DRAIN 115VAC	1
9	02104.84	HOSE, DRAIN	1
10	02104.09	BRACKET, WASH PUMP	1
11	02104.10	CLAMP, HOSE GEAR-TYPE 1-13/16"- 2-3/4" MAX	2
12	02104.11	HOSE, SUCTION WASH PUMP	1
13	50109.00	CLAMP, HOSE #28	2
14	02104.13	HOSE, DISCHARGE WASH PUMP	1
15	02103.81	HOSE, UPPER WASH ARM	1
16	03107.50	HOSE RUBBER, 1/2" ID X .84" OD	A/R
17*	02103.68	COUPLER, 3/4" MPT X 3/4" HOSE BARB	1
18	02106.19	HOSE, DRAIN MOLDED	1
19	02106.21	NUT, ANTI-SIPHON VALVE	1
20	02106.23	O-RING	1
21	02106.25	BALL, 3/8" DIAMETER, STAINLESS STEEL	1
22	02106.27	WASHER, SILICONE	1
23	02106.50	BODY, ANTI-SIPHON	1
24	02103.21	CLAMP, HOSE GEAR-TYPE, STAINLESS STEEL	2

*** NOTE:**

ITEM 17 IS STRAPPED TO THE DRAIN HOSE AS A SEPARATE PART FOR THE PLUMBING INSTALLER TO USE DURING INSTALLATION.

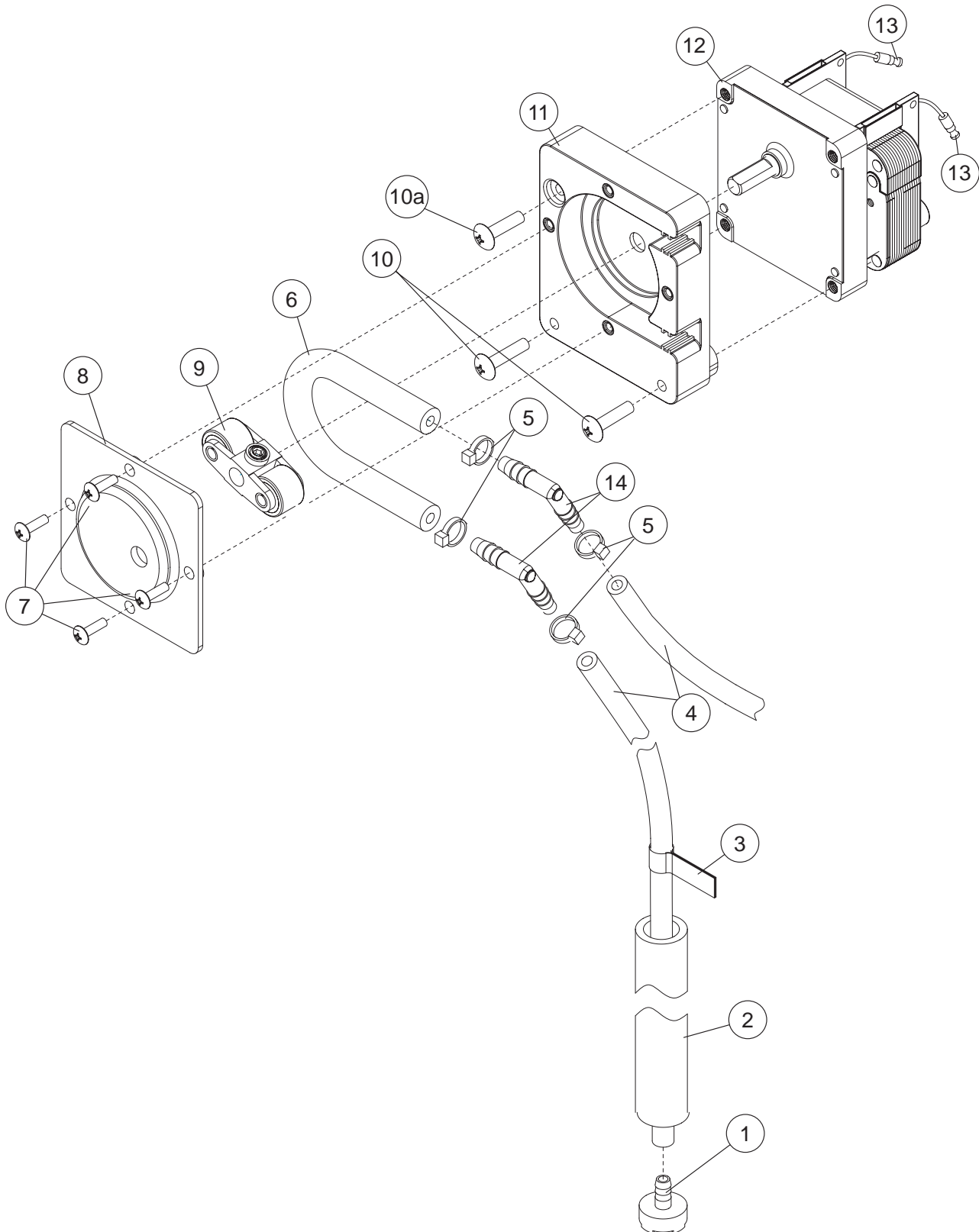
Item No.	Part No.	Description	Qty.
1	02104.17	GASKET, DOOR	1
2	02104.18	HEATER, WASH TANK, 1.6KW, 240VAC	1
3	00968.00	WASHER, SPLIT LOCK 1/4"	4
4	00923.50	NUT, HEX 1/4-20	4
5	02104.21	O-RING	2
6	02104.22	ADAPTER, THERMOSTAT	1
7	02103.28	BUSHING, THERMOSTAT	1
8	43030.00	THERMOSTAT, WASH TANK	1
9	02104.25	ADAPTER, THERMOMETER	1
10	02103.25	THERMOMETER, 2" DIAL 7' CAPILLARY	1
11	00721.00	NUT, JAMB 1/2" THIN PATTERN	2
12	02104.28	THERMOSTAT, FIXED, SNAP 212°F	1
13	00965.00	NUT, LOCK 6-32 W/NYLON INSERT	4
14	13826.00	SCREW, 4-40 X 5/8" PAN HEAD	2
15	43019.00	SWITCH, DOOR 15 AMP	1
16	02104.32	BRACKET, SWITCH	1
17	02104.33	PLATE, SWITCH NUT	1
18	02104.34	ELBOW, PUMP SUCTION	1
19	02104.35	GASKET, PUMP SUCTION	1
20	02104.36	FLANGE, PUMP SUCTION	1
21	02104.37	HOSE, 1/4" ID X 3/8" OD	A/R
22	02104.38	ELBOW, 3/8" TUBE X 1/4" NPT	1
23	02104.39	GASKET, 1/4" FIBER	1
24	02104.40	LOCKNUT, 1/4" PLASTIC	1
25	02104.41	FILTER, SUMP	1
26	02100.57	FILTER, O-RING	1
27	02104.43	TUBE, OVERFLOW	1
28	02104.53	TRAP, AIR	1
29	02104.55	GASKET, AIR TRAP	1
30	02104.57	ORING, NUT, AIR TRAP	1
31	02104.59	NUT, AIR TRAP	1
32	02104.54	CLAMP, HOSE AIR	2
33	02104.56	HOSE, AIR	4FT.
34	02104.90	BRACKET	1
35	02104.91	SCREW, 6-18 X 1/4" PAN HEAD. PHIL.	1
36	02100.41	SWITCH, PRESSURE	1
37	03801.60	NUT, LOCK, 10-32 KEPS	1

Fill Solenoid Valve



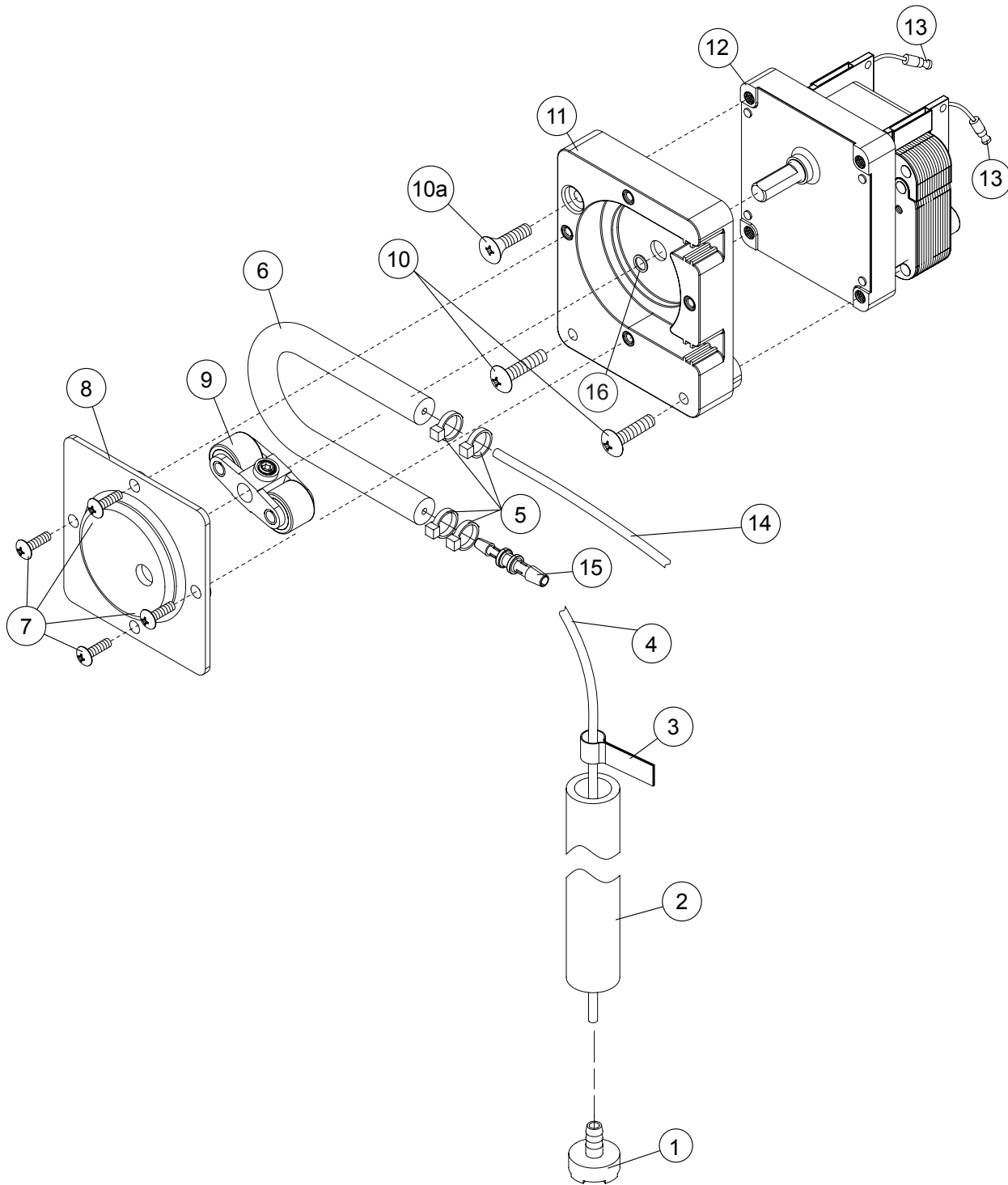
Item No.	Part No.	Description	Qty.
1	03603.10	WATER SOLENOID 1/2" J/E COMPLETE (Includes Items 2-6)	1
2	00738.10	WATER SOLENOID COIL J/E	1
3	03603.20	1/2" WATER SOLENOID BONNET	1
4	00786.00	WATER SOLENOID VALVE PLUNGER	1
5	00707.00	1/2" WATER SOLENOID REPAIR KIT	1
6	40013.00	FITTING, BARB HOSE	1
7	02106.11	BRACKET, VALVE, UC65E	1
8	02103.16	BOLT, HEX FLANGE 1/4-20 X 3/8"	2
9	03604.50	FITTING, FLOW DISC, DEMA	1
10	03604.10	WASHER, FLOW	1

Detergent Pump



Item No.	Part No.	Description	Qty.
1	02104.47	STRAINER	1
2	02104.48	TUBE,STIFFENER, 1/2" ID X 11-7/8" LG.	1
3	43078.05	LABEL, DETERGENT	1
4	02104.37	HOSE, 1/4ID X 3/8OD PVC	A/R
5	02104.51	TIE, NYLON 4"	4
6	02257.00	TUBE, SQUEEZE 8"	1
7	00911.00	SCREW, 8-32 X 1/2" PANHEAD	4
8	00418.00	COVER, PUMP	1
9	00419.00	ASSEMBLY, ROLLER	1
10	00919.00	SCREW, 10-32 X 1-1/2" PANHEAD	2
10a	00918.10	SCREW, 10-32 X 1-1/2" FLATHEAD	1
11	00417.10	BLOCK, PUMP	1
12	00416.00	MOTOR, PUMP 115VAC	1
13	00448.00	CONNECTOR, MALE BARREL	2
14	02104.52	ELBOW, 1/4" HOSE BARB	1
----	00415.00	ASSEMBLY, PERI-PUMP COMPLETE (Includes Items 6-13)	1

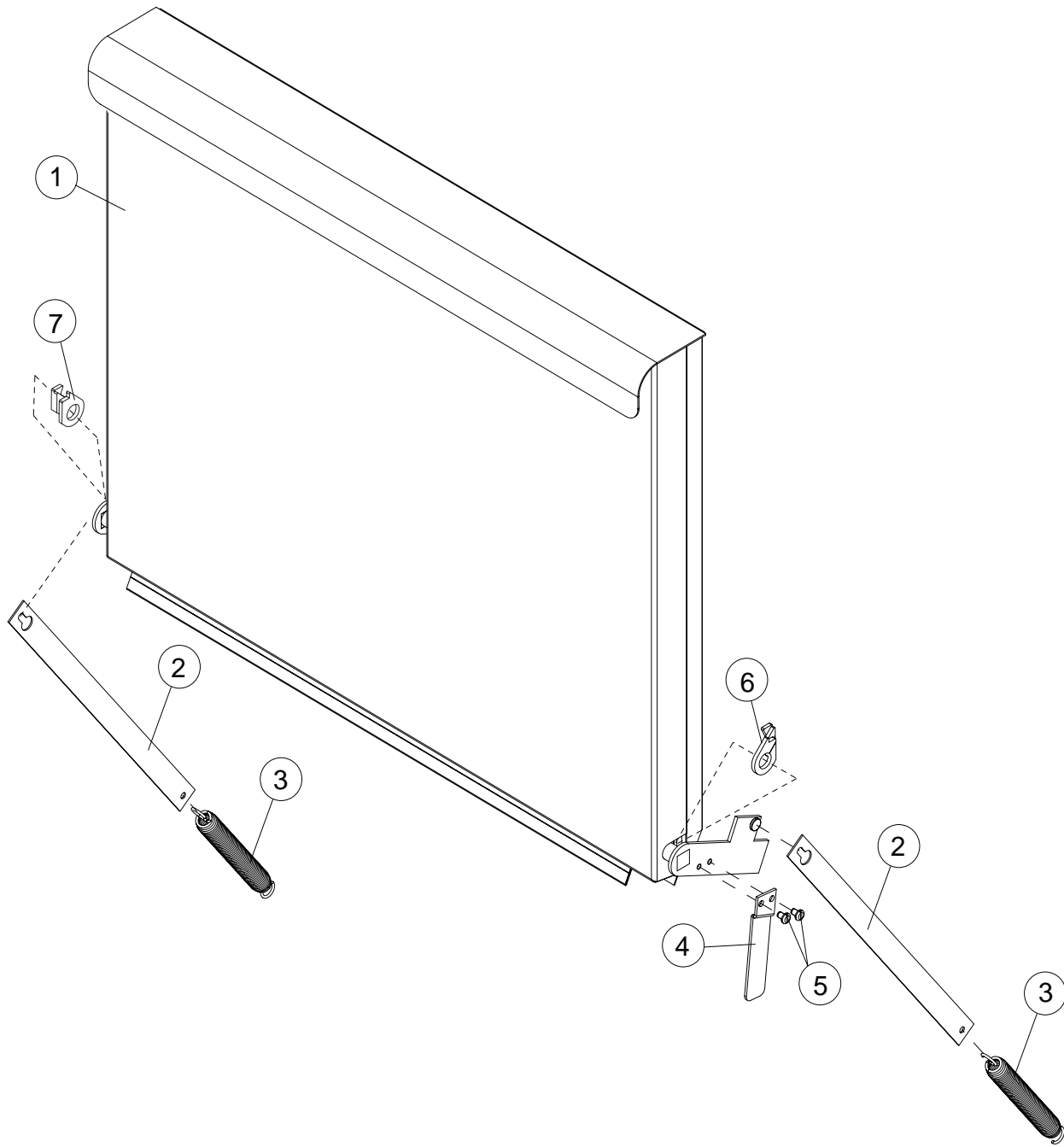
Rinse-Aid Pump



Item No.	Part No.	Description	Qty.
1	02104.47	STRAINER	1
2	02104.48	TUBE,STIFFENER, 1/2" ID X 11-7/8" LG.	1
3	40378.08	LABEL, RINSE AID	1
4	07237.00	TUBING, 1/8" ID X 1/4" OD	A/R
5	00931.00	TIE, CABLE 4-1/2"	4
6	02257.00	TUBE, SQUEEZE 8"	1
7	00911.00	SCREW, 8-32 X 1/2" PANHEAD	4
8	00418.00	COVER, PUMP	1
9	00419.00	ASSEMBLY, ROLLER	1
10	00919.00	SCREW, 10-32 X 1-1/2" PANHEAD	2
10a	00918.10	SCREW, 10-32 X 1-1/2" FLATHEAD	1
11	00417.10	BLOCK, PUMP	1
12	00416.00	MOTOR, PUMP 115VAC	1
13	00448.00	CONNECTOR, MALE BARREL	2
14	00425.54	TUBING, CHEMICAL 1/4" NATURAL	A/R
15	02106.12	CONNECTOR, 5/32" X 1/8"	1
-----	00415.00	ASSEMBLY, PERI-PUMP COMPLETE (Includes Items 6-13)	1

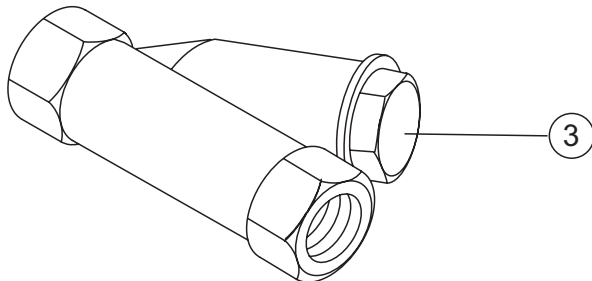
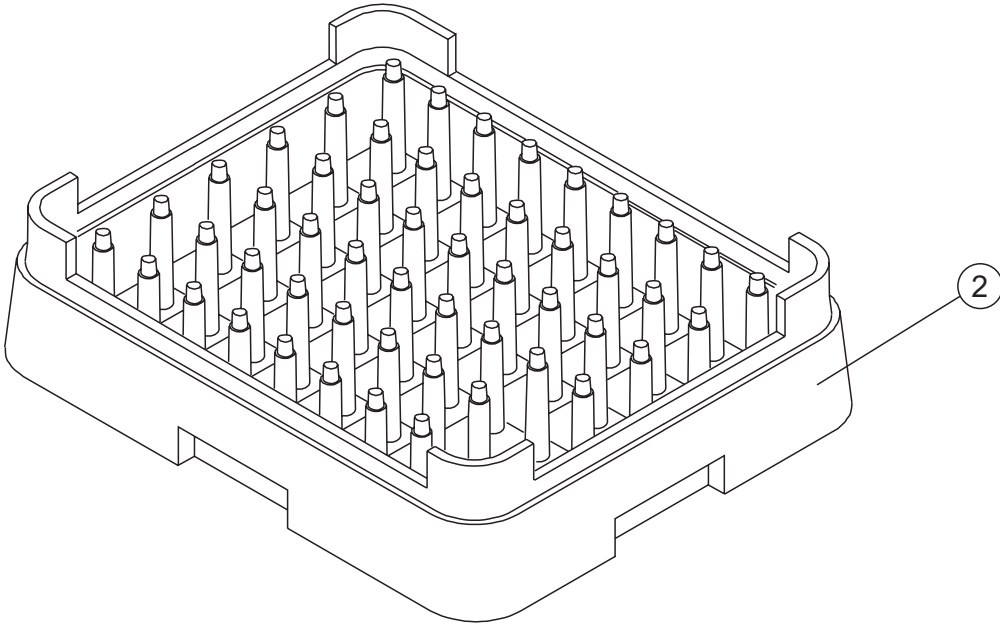
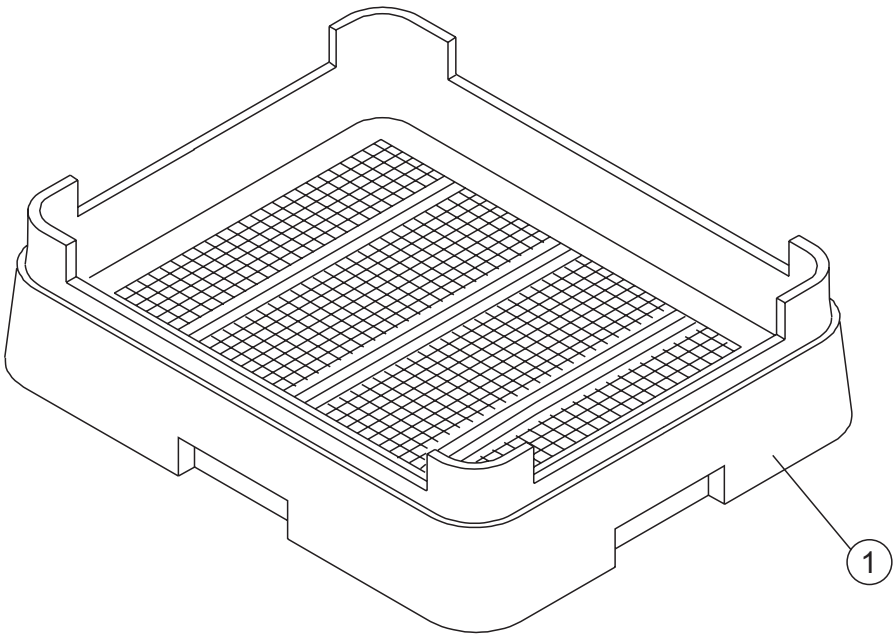
Item No.	Part No.	Description	Qty.
1	02103.62	FITTING, COMP 1/4" OD X 1/8 MPT ELL J	1
2	02104.60	ADAPTOR, 1/8" NPT X 1/4" TUBE	1
3	00425.54	TUBING, CHEMICAL 1/4" NATURAL	A/R
4	02104.62	LABEL, GAUGE	1
5	02104.63	GAUGE, PRESSURE 0-60PSI	1
6	02103.25	THERMOMETER, 2" DIAL, 7' CAPILLARY	2
7	00929.00	BOLT, 1/4-20 X 3/4" TRUSS HEAD	2
8	02104.66	PANEL, FRONT UC65e	1
9	02104.67	FOOT, ADJUSTING	4
10	02104.68	NUT, KEPS, 10-32	1
11	02104.69	WRAP, OUTER PANEL	1
12	02104.70	CLAMP, DOUBLE CONDUIT	3
13	02106.13	PANEL, REAR	1
14	02103.39	SCREW TRUSS HEAD 10-32 X 3/8"	4
15	02104.85	FRAME STAND	1

Door



Item No.	Part No.	Description	Qty.
1	02104.73	DOOR WELDED ASSY	1
2	02104.76	ARM, DOOR SPRING	2
3	02104.77	SPRING, DOOR	2
4	02104.78	ACTUATOR, DOOR SWITCH	1
5	00911.10	SCREW, 8-32 X 3/8" TRUSS HEAD	2
6	02104.88	SEAL, DOOR HINGE, RH	1
7	02104.87	SEAL, DOOR HINGE, LH	1

Dish Racks, Line Strainer



Item No.	Part No.	Description	Qty.
1	12960.01	DISH RACK, BOWL	A/R
2	12960.03	DISH RACK, PEG	A/R
3	03602.50	STRAINER, LINE 1/2" Y	1

***This Page
Intentionally
Left Blank***