



MODEL L-1Xe PARTS MANUAL

Rev 1.00 11-03-23

 **LISTED**
COMMERCIAL
DISHWASHER
864T



CMA DISHMACHINES
12700 KNOTT AVENUE
GARDEN GROVE, CALIFORNIA 92841

800-854-6417

FAX 714-895-2141

www.cmadishmachines.com

[Buy Parts](#)

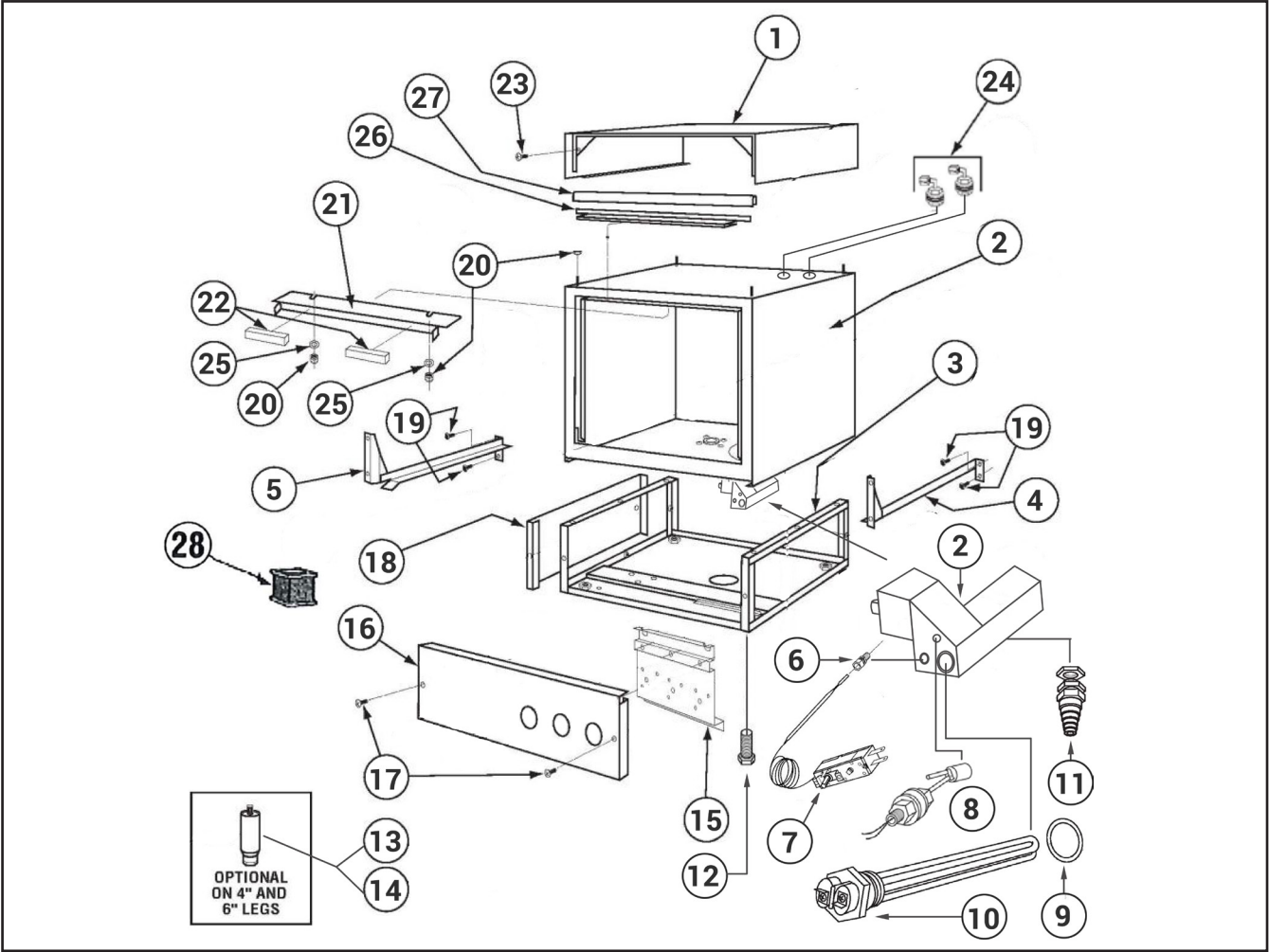
TABLE OF CONTENTS

MODEL CMA L-1Xe

PARTS MANUAL

<i>Cabinet Assembly</i>	3
<i>L-1Xe Door Assembly</i>	4
<i>Spray Arm Assembly</i>	5
<i>Pump Assembly</i>	6
<i>Plumbing System Assembly</i>	7
<i>Control Panel</i>	8
<i>Electrical Panel</i>	9
<i>Peristaltic Pump Assembly</i>	10
<i>Drain System Assembly</i>	11
<i>Optional Sanitizer Alarm</i>	12

Cabinet Assembly

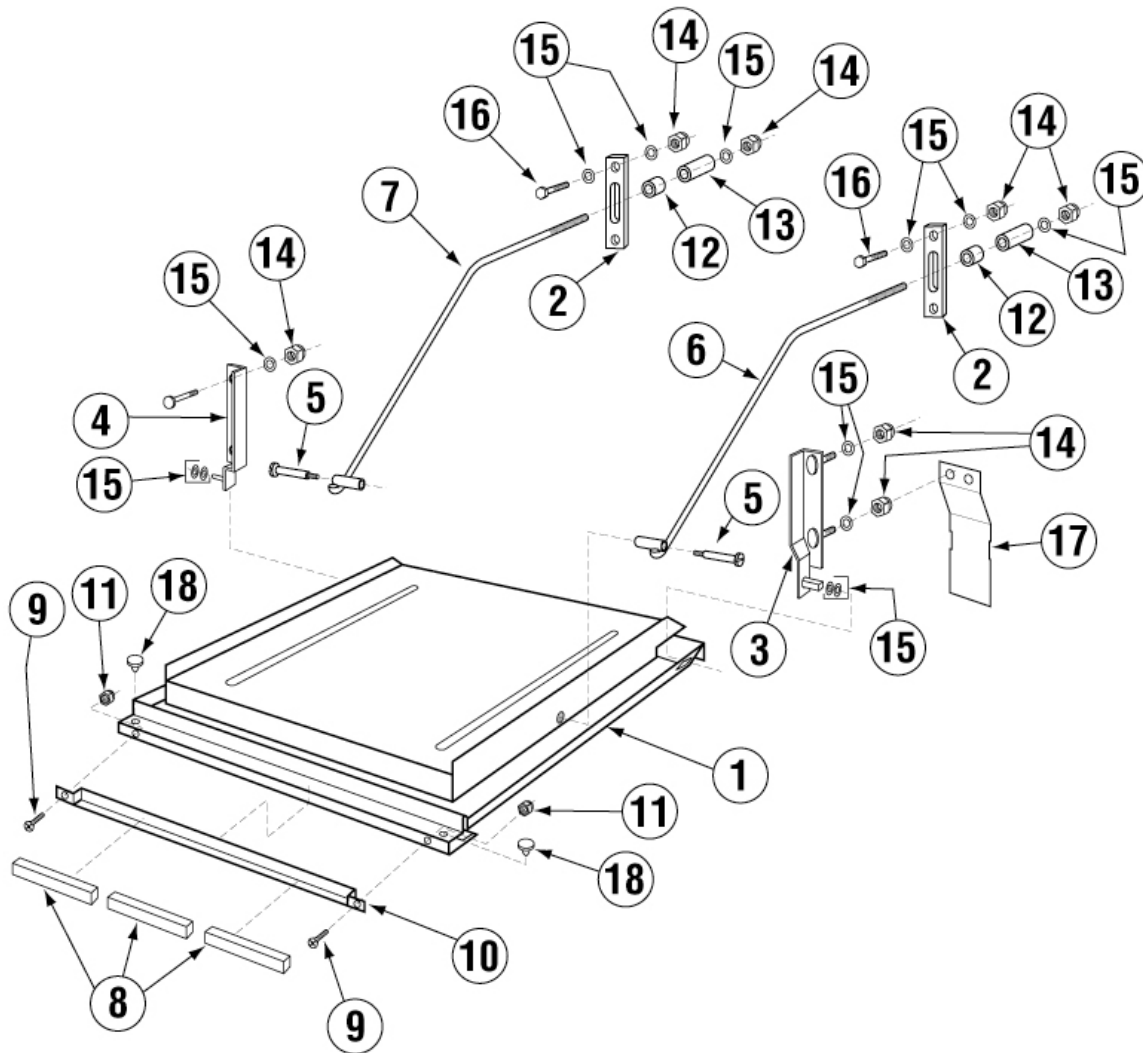


ITEM NO.	NO. REQ'D	P/N	DESCRIPTION
1	1	14503.40	L-1Xe Top Cover
2	1	05801.00	L-1Xe Body
3	1	05802.00	L-1Xe Base
4	1	04911.60	L-1X/GL-X Tray Track RH
5	1	04912.60	L-1X/GL-X Tray Track LH
6	1	13417.50	Thermostat Thermowell
7	1	13417.94	Thermostat L-1Xe
8	1	13463.10	Liquid Level Switch SS
9	1	00703.00	O-Ring Gasket
10	1	15417.35	Screw Plug Heater 1.25 kW 115V
11	1	03415.45	Sanitizer Flex-Tight Fitting
12	4	01310.60	Leg Adjusters
13	4	01146.50	4" Leg (Optional)
14	4	01146.00	6" Leg (Optional)
15	1	05804.00	L-1Xe Peri Pump Mount
16	1	05805.00	L-1Xe Peri Pump Panel
17	2	00941.00	10-32 x 5/8" Pan Head Screw
18	1	05806.00	L-1Xe Stand Panel

ITEM NO.	NO. REQ'D	P/N	DESCRIPTION
19	4	00914.00	1/4-20 x 3/4" Hex Head Bolt
20	6	00912.00	Nylon Lock Nut 1/4"-20
21	1	14558.00	Body Magnet Holder
22	2	00557.80	Door Magnet
23	8	00940.50	10-32 x 3/8" Truss Head Screw
24	2	03415.00	Chemical Tube Bulkhead
25	2	00924.00	Washer SS 1/4"
26	1	14506.45	Gasket Bracket
27	1	14506.60	Door Gasket (RM)
28	1	00115.88	Drain Screen SS L-1Xe

Parts Manual

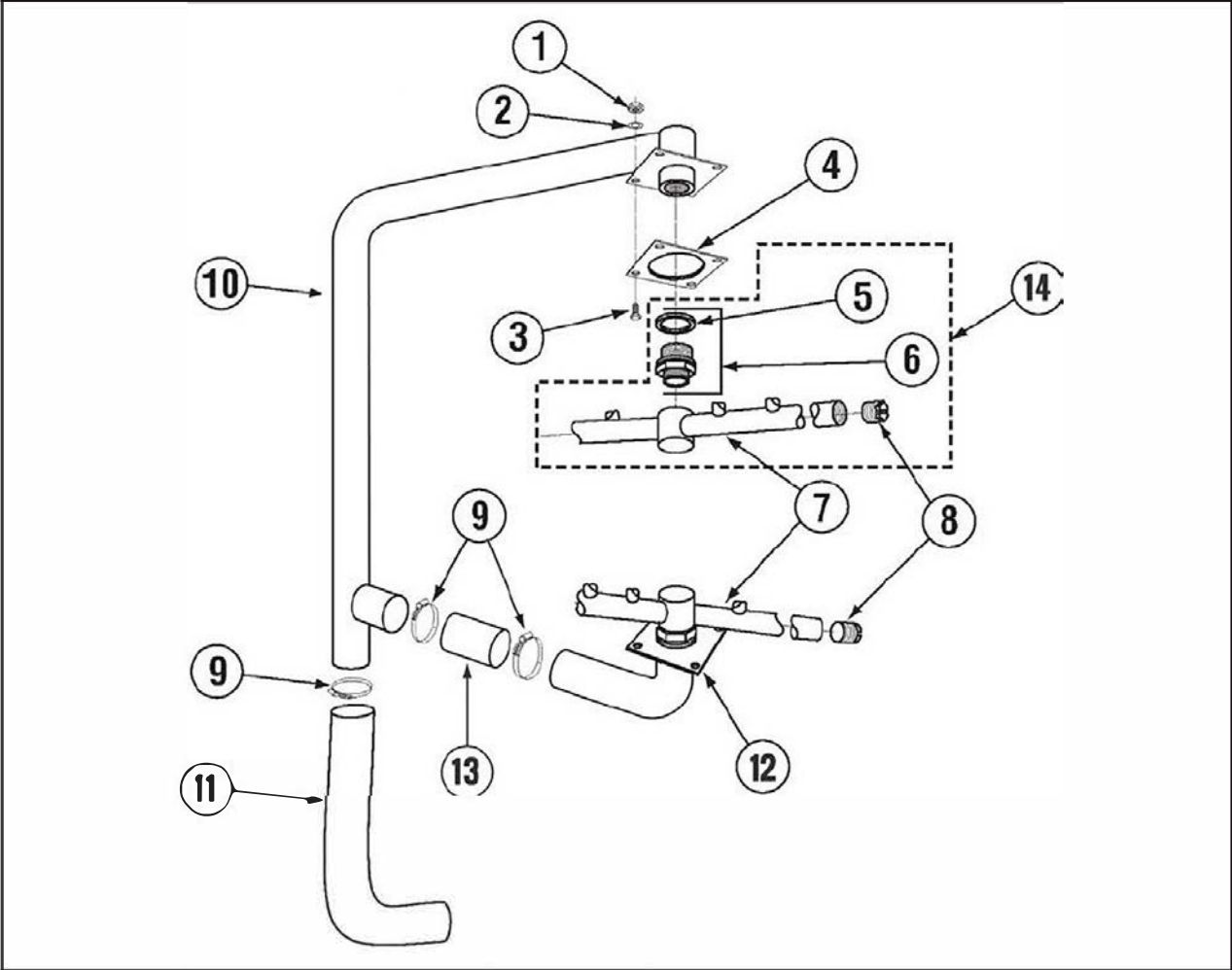
L-1Xe Door Assembly



ITEM NO.	NO. REQ'D	P/N	DESCRIPTION
1	1	04907.90	Door for L-1Xe
2	2	04517.60	Door Support Rod Block
3	1	14570.00	Door Hinge R.H.
4	1	14570.50	Door Hinge L.H.
5	2	04919.00	Door Rod Screw Pin
6	1	04918.60	Door Support Rod Right
7	1	04919.50	Door Support Rod Left
8	3	00557.80	Door Magnet
9	2	00970.60	6-32 x 1/2" Flathead Screw

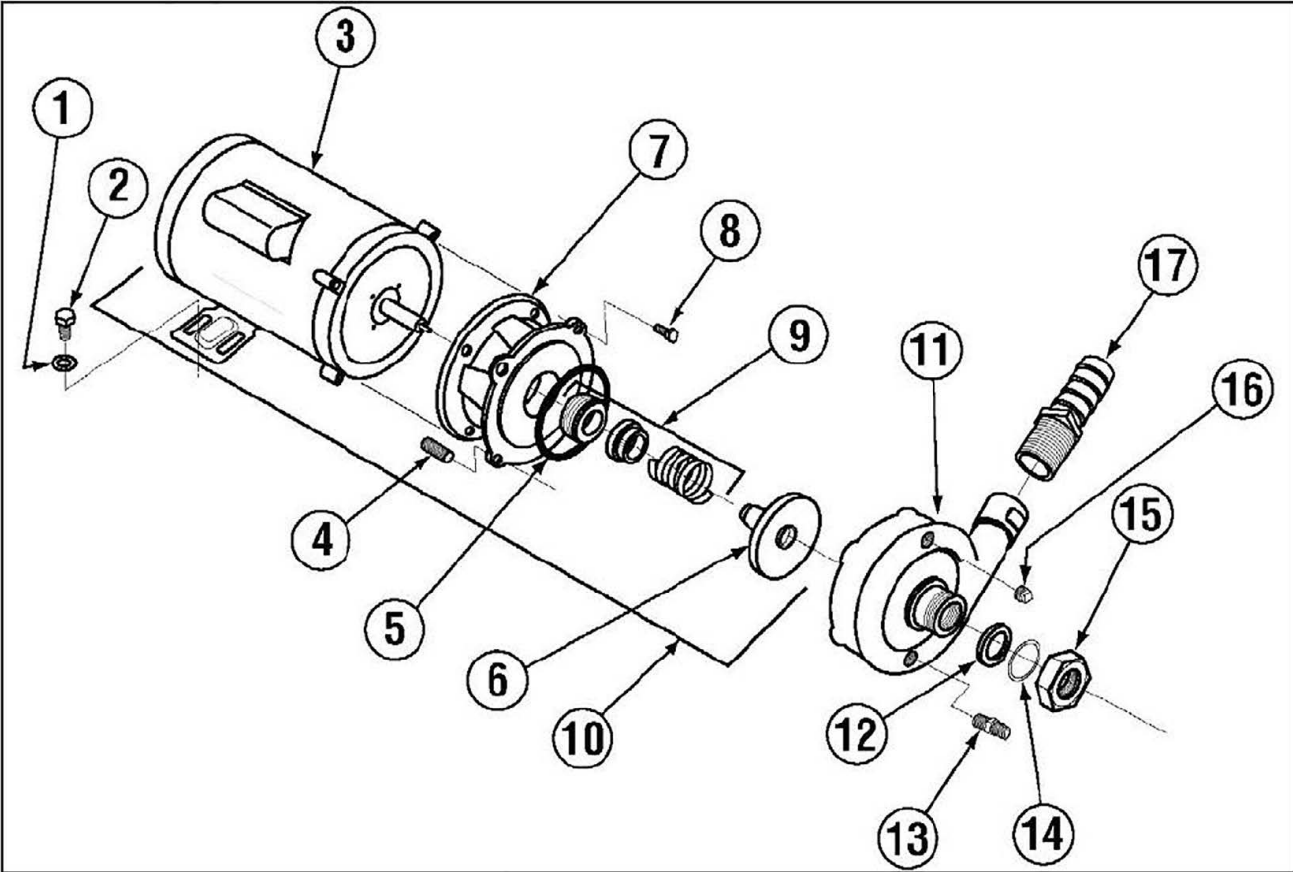
ITEM NO.	NO. REQ'D	P/N	DESCRIPTION
10	1	14558.61	Door Magnet Holder
11	2	00965.00	6-32 Lock Nut
12	2	00605.30	Door Rod Spacer
13	2	04517.15	Door Stop (Parallel)
14	8	00912.00	1/4"-20 Nylon Lock Nut
15	10	00924.00	1/4" SS Washer
16	4	00914.10	1/4"-20 x 5/8" Hexhead Bolt
17	2	14518.00	Splash Guard
18	2	00605.00	Door Handle Button-Undercounters

Spray Arm Assembly



ITEM NO.	NO. REQ'D	P/N	DESCRIPTION
1	8	00912.00	1/4"-20 Nylon Lock Nut
2	16	00924.00	1/4" SS Washer
3	8	00929.00	1/4"-20 x 3/4" Truss Head Bolt
4	2	04306.00	Square Manifold Gasket
5	2	04305.10	Silicon Gasket Red
6	2	00343.00	L-1Xe Spray Arm Bearing
7	2	00310.51	Spray Arm
8	4	00308.50	Spray Arm End Plug
9	6	03101.00	Hose Clamp #16 1"
10	1	04307.00	L-1Xe Manifold
11	1	15601.60	Hose 1" ID 90Deg
12	1	05930.20	L-1Xe Spray Base
13	1	03108.65	Transfer Hose 1" Reinforced 3.5"
14	2	00307.60	Spray Arm Assy L-1Xe

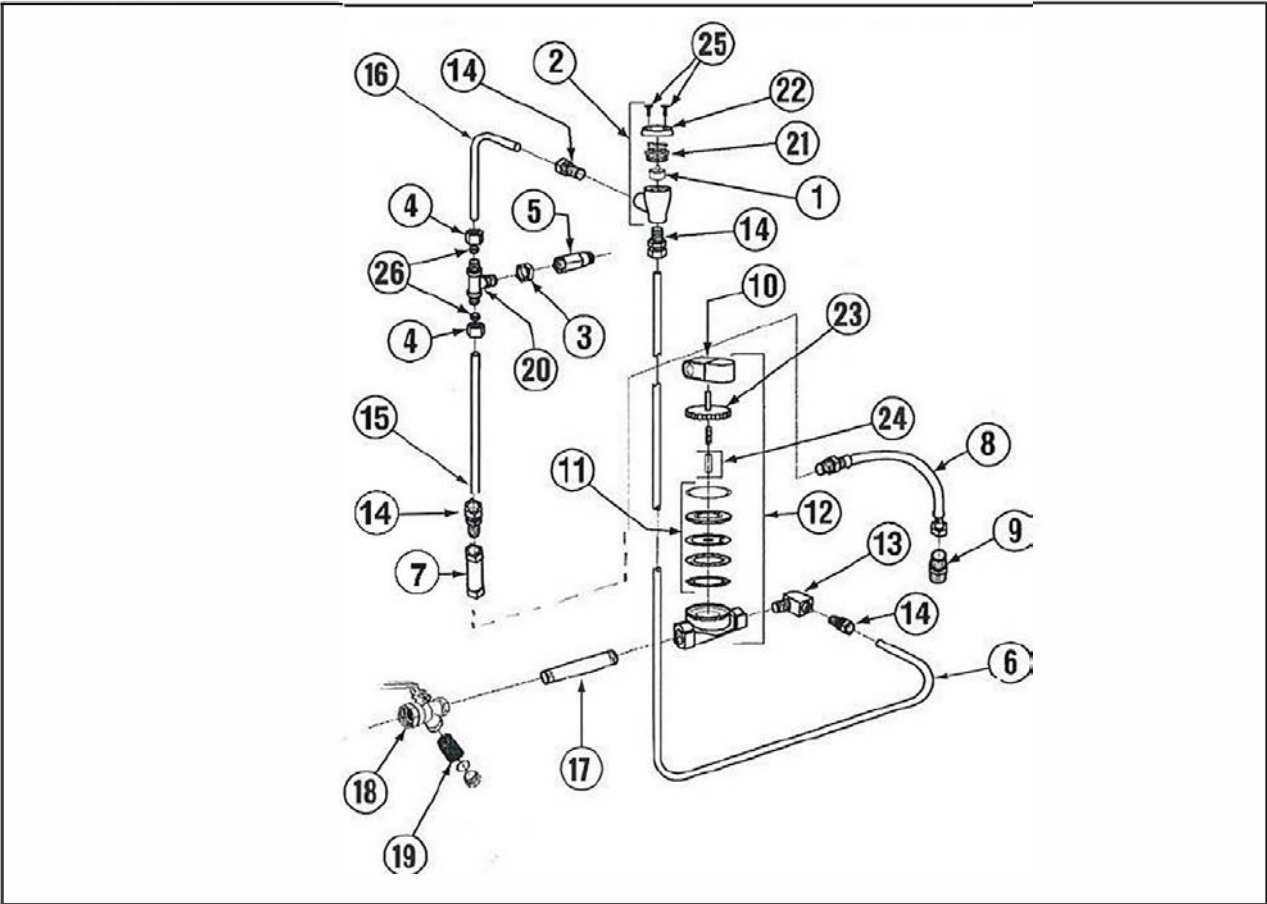
Pump Assembly



ITEM NO.	NO. REQ'D	P/N	DESCRIPTION
1	4	00924.00	1/4" SS Washer
2	4	00906.00	1/4"-20 x 1/2" Hex Head Bolt
3	1	00201.00	Water Pump Motor 1 HP
4	2	00975.00	3/8"-16 x 1 1/2" SS Stud
5	1	03226.00	Pump "O" Ring Gasket
6	1	00203.40	Impeller Closed S/S
7	1	04207.10	Pump Base
8	8	00921.00	3/8"-16 x 3/4" Hex Bolt
9	1	00206.30	Pump Seal Kit New (11/07)

ITEM NO.	NO. REQ'D	P/N	DESCRIPTION
10	1	00200.10	Includes Items 3, 5, 6, 7, and 9
11	1	04207.20	Pump cover
12	1	00208.40	Slip Joint Nut O Ring Gasket Buna
13	1	00214.50	1/2" Comp x 3/8" MIP Adapter
14	1	00208.21	Slip Joint Nut Friction Ring Plastic
15	1	04204.00	Compression Nut 2.5"
16	1	00238.00	3/8" Male Plug
17	1	50302.06	1" MIP x 1" Barb PVC

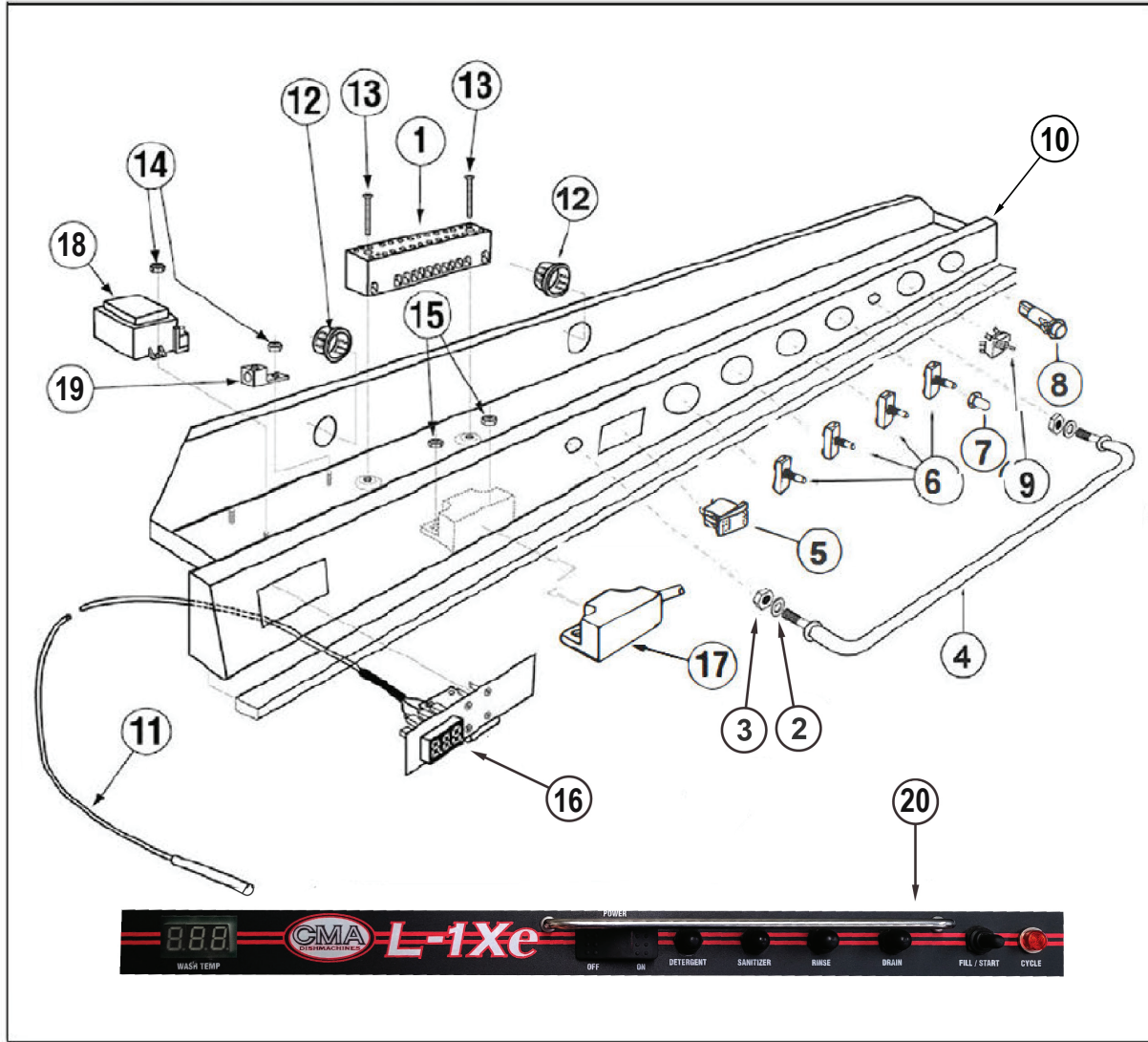
Plumbing System Assembly PN18601.06



ITEM NO.	NO. REQ'D	P/N	DESCRIPTION
1	1	03623.00	1/2" Vac. Brkr Repair Kit - WATTS
2	1	03624.00	1/2" Vacuum Breaker - WATTS
3	2	00721.00	1/2" Jamb Nut
4	2	00770.10	5/8 Compression Fitting Nut
5	1	00748.00	1/2" Sprinkler Head Assembly
6	1	05007.00	5/8 OD x 0.49 wall 304 SS Tubing
7	1	00715.00	Ball Check Valve
8	1	00798.00	SS Braided Hose
9	1	00214.50	1/2" Comp x 3/8" MIP Fitting
10	1	00738.10	Water Solenoid Coil J/E
11	1	00707.00	1/2" Water Solenoid Repair Kit J/E
12	1	03603.10	1/2" Water Solenoid Valve J/E
13	1	00745.00	1/2" 90 Degree Street Elbow
14	4	00760.00	5/8" Comp x 1/2" MIP Adapter
15	1	05007.00	5/8 OD x 0.49 wall 304 SS Tubing

ITEM NO.	NO. REQ'D	P/N	DESCRIPTION
16	1	05007.00	5/8 OD x 0.49 wall 304 SS Tubing
17	1	00747.20	Nipple Brass 1/2" x 3"
18	1	41062.00	1/2" Strainer Ball Valve
19	1	41062.10	1/2" Ball Valve Strainer Only
20	1	00743.12	Tee 1/2C x 1/2C x 1/2 Male
21	1	03624.25	Vacuum Breaker Bonnet Brass
22	1	00739.50	Vacuum Breaker Cap SS
23	1	03603.20	1/2" Water Solenoid Bonnet
24	1	00786.00	Water Solenoid Valve Plunger & Spring
25	2	00421.51	6-32 x 1/4" Phillips Panhead Screw
26	2	00770.20	5/8 Compression Fitting Ring

1.3.9. Control Box PN18612.57

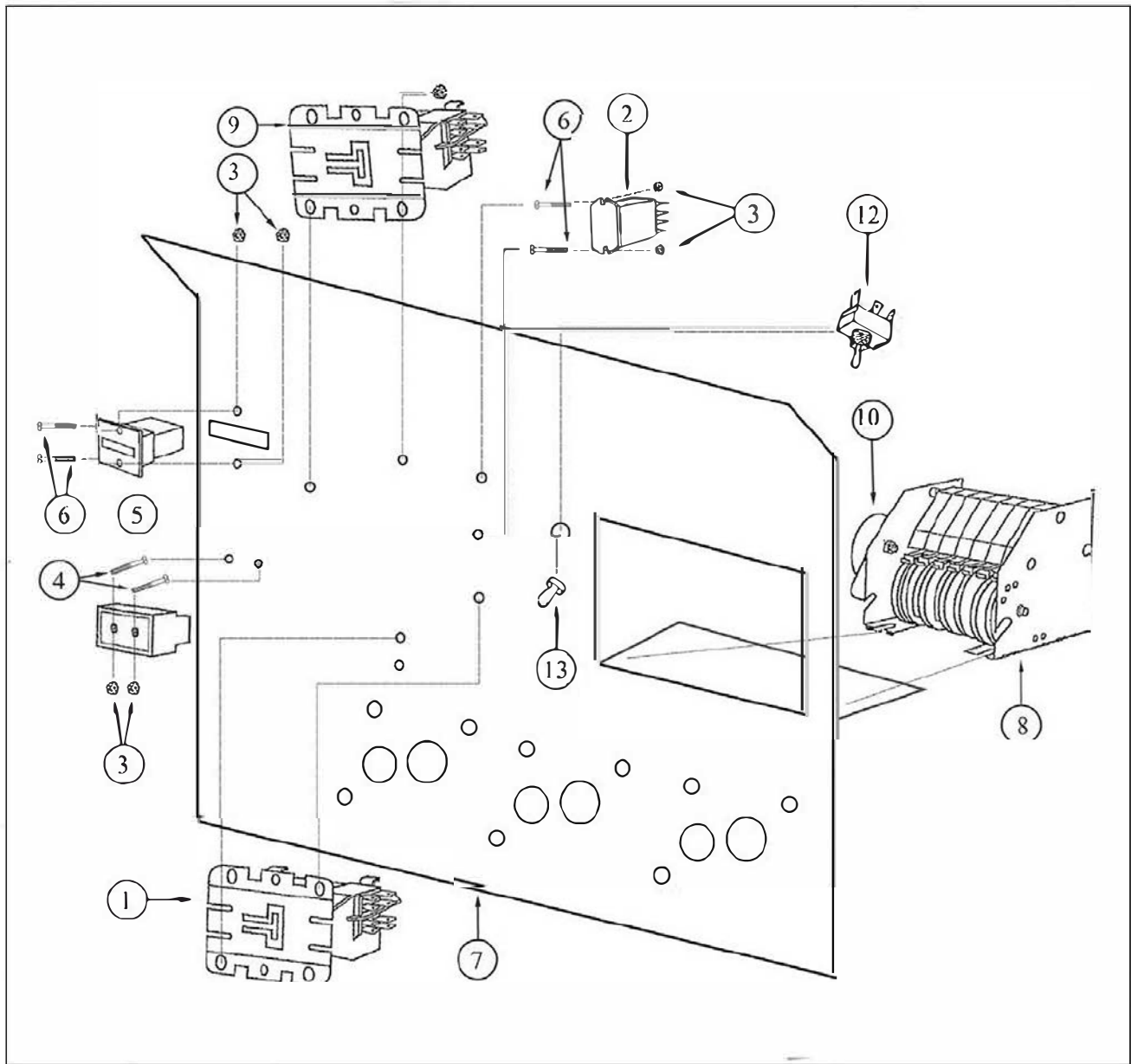


ITEM NO.	NO. REQ'D	P/N	DESCRIPTION
1	1	15520.00	Power Block 12 Position
2	2	04806.00	Washer Included w/ PN03485.00
3	2	03801.00	Nut Included w/ PN03485.00
4	1	03485.00	Switch Guard
5	1	15524.00	Power Rocker Switch 115V
6	4	03475.00	Prime Switch Push Button
7	4	03476.00	Push Button Switch Cover
8	1	02106.50	Control Box Light .5 Dia Red 115V
9	1	03470.01	Toggle Switch Momentary
10	1	05807.00	Control Drawer

ITEM NO.	NO. REQ'D	P/N	DESCRIPTION
11	1	03202.66	Thermocouple
12	2	00438.00	Snap bushing, Universal
13	2	01001.00	6-32x1" Panhead Screw
14	2	00971.10	4-40 Nylon Lock Nut
15	2	00927.00	8-32 Nylon Lock Nut
16	1	03203.51	Single Temp Display Kit
17	1	00556.10	Reed Switch
18	1	03202.60	Thermometer Transformer
19	1	13426.50	Ground Block
20	1	05808.00	L-1Xe Drawer Label w/ Window

Not shown: L-1Xe Wiring Harness PN04418.00

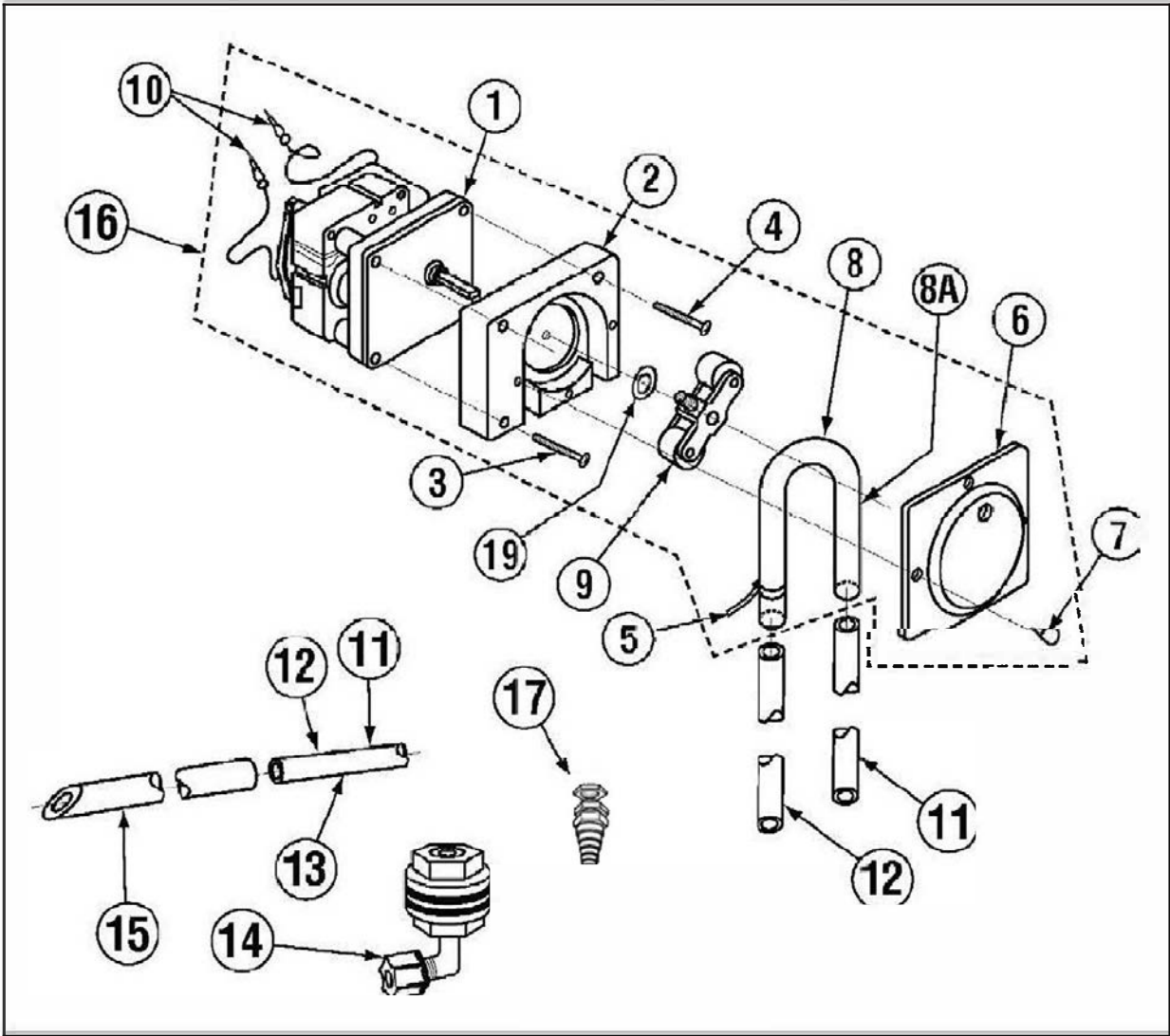
Electrical Panel PN18612.56



ITEM NO.	NO. REQ'D	P/N	DESCRIPTION
1	1	00404.82	Motor Contactor 115V 20A
2	1	00631.00	Ice Cube Relay 115V
3	10	00916.00	6-32 Nut
4	2	01001.00	6-32 X 1 Phillips Panhead Screw
5	1	15520.50	Power Block 3 Position
6	8	00907.00	6-32 X 1/2 SS Panhead Screw
7	1	05961.00	L-1Xe Peril Pump Mount

ITEM NO.	NO. REQ'D	P/N	DESCRIPTION
8	1	00407.50	Timer 90 Second L-1Xe
9	1	13012.15	Heater Contactor 5kW 120V
10	1	00500.00	Timer Motor
11	1	03408.50	Counter (Panel Mount - Small)
12	1	00475.70	Delimer Switch 20A 3Pos Spade
13	1	00470.10	Rubber Boot

Peristaltic Pump Assembly

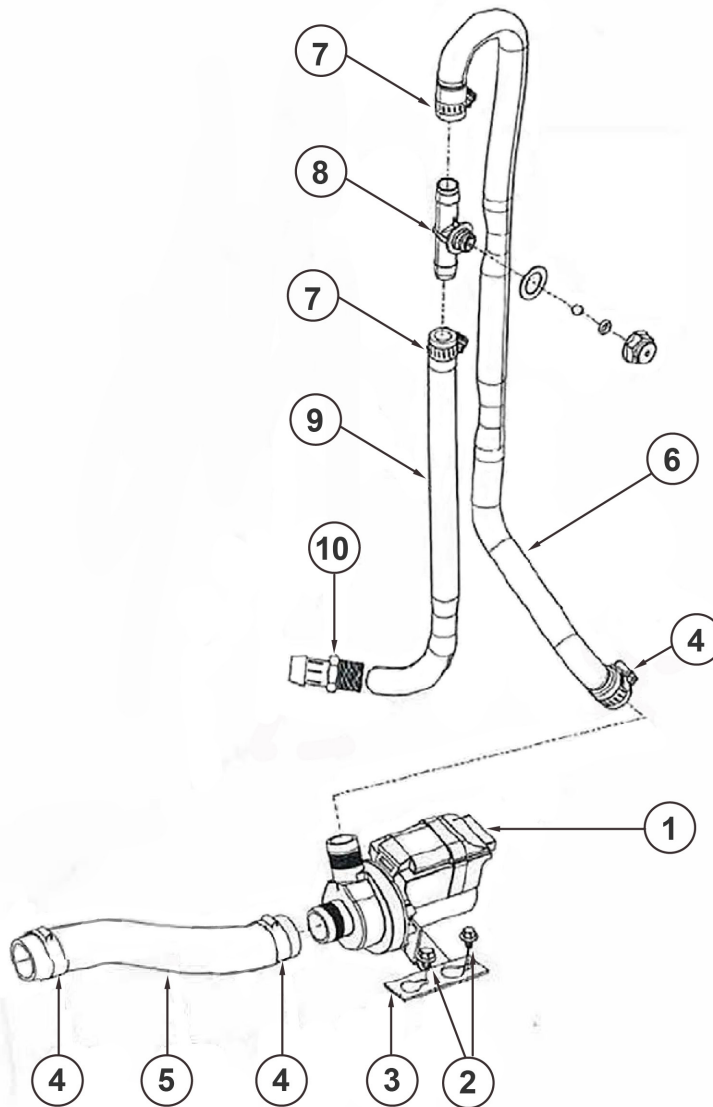


ITEM NO.	NO. REQ'D	P/N	DESCRIPTION
1	3	00416.00	Peristaltic Pump Motor
2	3	00417.10	Peristaltic Pump Block (Black)
3	6	00919.00	10-32 x 1 1/2" Pan Head Screw
4	3	00918.00	10-32 x 1 1/2" Fillister HD Screw
5	6	00932.00	Wire Tie – Large
6	7	00418.00	Peristaltic Pump Block Cover
7	12	00911.00	8-32 x 1/2" Pan Head Screw
8	3	02257.00	Squeeze Tube 8" Norprene
9	3	00419.00	Peristaltic Rotor Assembly

ITEM NO.	NO. REQ'D	P/N	DESCRIPTION
10	6	00448.00	Barrel Connector (Male)
11	AR	00425.51	Chemical Tubing (Blue)
12	AR	00425.53	Chemical Tubing (Red)
13	AR	00425.54	Chemical Tubing (White)
14	2	03415.00	Chemical Tube Bulkhead
15	3	00443.00	Tube Stiffener
16*	3	00415.00	Complete Peristaltic Pump
17	1	03415.45	Bulk Head For Sanitizer
19	1	00422.50	Rotor Spacer

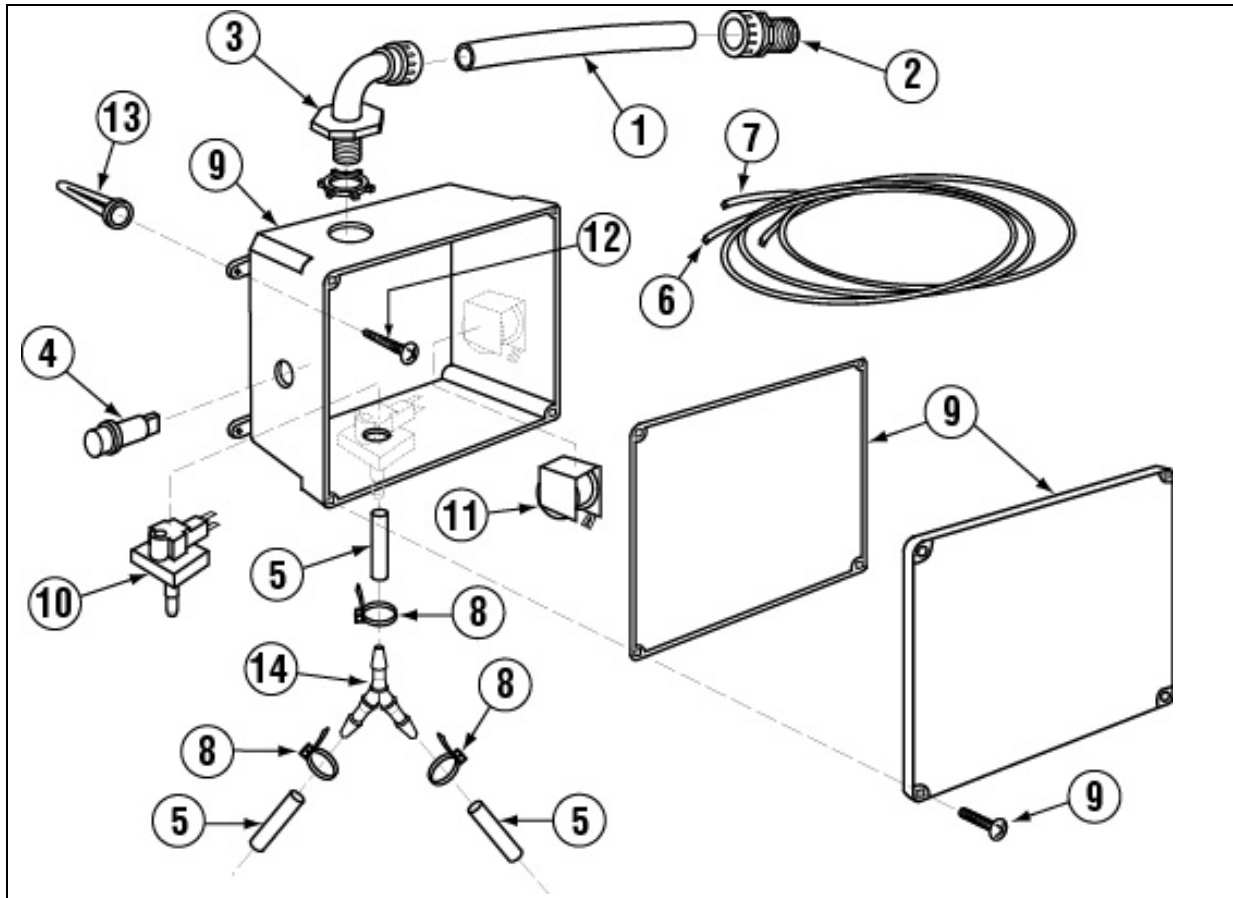
*Item 16 includes items 1-4, 6-10.

Drain System Assembly



ITEM NO.	NO. REQ'D	P/N	DESCRIPTION
1	1	02104.07	Drain Pump 115V
2	1	02103.16	Bolt 1/4-20X3/8"
3	1	02104.06	Drain Pump Bracket
4	1	03101.00	Clamp 1"
5	1	03108.65	Transfer Hose 1" Reinforced 3.5"
6	1	02104.05	Drain Pump Hose
7	1	02103.21	Hose Clamp
8	1	02106.50	Antisiphon Valve
9	1	02104.84	Drain Hose
10	1	02103.68	3/4" MPT x 3/4" Hose Barb

Optional Sani Alarm PN12508.00



Exploded View

ITEM NO.	NO. REQ'D	P/N	DESCRIPTION
1	3	00400.00	Conduit, 3/8" Sealtite
2	1	00401.00	S.T. 3/8" Straight Connector
3	1	00402.00	S.T. 90 Degree 3/8" Connector
4	1	00406.00	Control Box Light, .5" Diameter, Red
5	1	02257.00	Squeeze Tube, 8"
6	AR	00521.00	Wire, 18 Gauge, Orange, 6 ft.
7	AR	00531.00	Wire, 18 Gauge, White, 6 ft.

ITEM NO.	NO. REQ'D	P/N	DESCRIPTION
8	5	00931.00	Wire Tie, Small
9	1	12510.00	Sanitizer Alarm Box Assembly
10	1	12511.50	Sanitizer Low Level Vacuum Switch
11	1	12512.00	Sanitizer Alarm Buzzer, 120 Volts
12	4	40126.10	#10 x 3/4" Sheet metal Screw
13	4	40127.00	Wall Anchors
14	1	00426.00	Y Hose Connector, 3/16"