

HAND PUMP PRODOSE



FEATURES

- Automatic recharging spring pump
- Strong PP body
- Umbrella valves
- Double O-ring for each seal
- Stainless steel spring not in contact with chemical
- Changeable colored ABS cups
- Installation kit included
- No electric power needed
- Totally tool free wall mounting and maintenance
- Adjustable dosage: 5/10/15/20/25/30 cc per push by moving the red pins
- Tip for lock-out time
- EPDM spout
- Operating Temperature: 5-50°C
- Storage Temperature: -20÷60°C

FIELD APPLICATION:

- All purpose, to fill bottles, buckets and sinks with a lot of sanitizers or institutional cleaning products

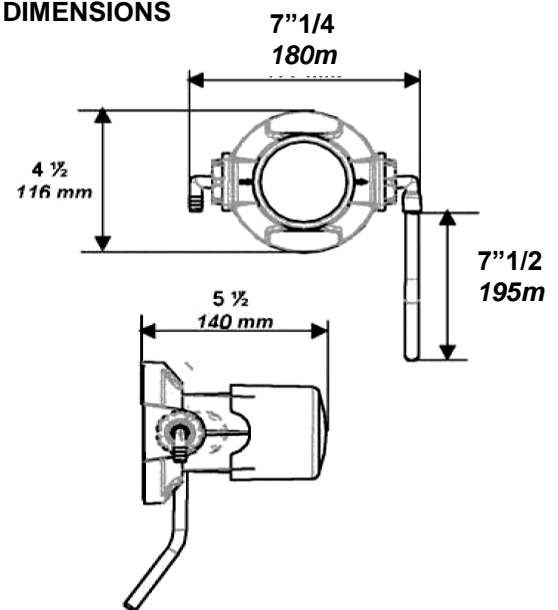
PACKAGING INCLUDES:

- Tip for lock-out time
- Screws and anchors
- Mounting bracket
- Hose 10mm ID – 14mm OD
- 2pcs modular tube stiffener

AVAILABLE OPTIONS

- Colored Cups
- Stainless steel tank rack (5 or 10 liters)

DIMENSIONS



MODELS AND CODES

Gasket type	pH range	Code
FPM	0÷5	HP30FN000000
Silicone	5÷10	HP30SN000000
EPDM	10÷14	HP30EN000000