



LAUNDRY SOLUTIONS: ON PREMISE & COMMERCIAL

Laundry dispensing for everything you need

Atlas is the premier on-premise laundry system with a unique modular design that provides easy addition of up to 7 pumps for greater flexibility. Atlas features an ABS enclosure with formula select keypad and John Guest quick connect for fast tube connection and changing. Atlas is prewired with a 15 foot power cord with 115 volt plug. The system features a 100-265 VAC 50/60 Hz auto-switching power supply and 24 VDC 105 rpm gear motors. Atlas features the same pump as the TITAN warewash dispenser with quick change pump covers for faster service and spring loaded 2-roller design for extended tubing life. An optional large pump that delivers up to 50 ounces per minute is also available when higher volume output is required.

Features & Benefits

- Atlas is available standard with 2 to 7 pumps and with or without a flush manifold. It comes complete with a Universal Select Module (USM) end user formula selector. Programming is done with the stand alone EDSM II or Data Grip remote modules.
- Atlas modes and features include:
 - AUTO FORMULA-SELECT: Allows laundry machine to choose formula with a signal to the dispenser.
 - RELAY: Allows laundry machine to control the dispenser and accept any number of programs.
 - SEQUENCE: Used on non-programmable, fixed time, and older machines that do not have adequate programming functions by counting drain closings and pumping pre-determined amounts of product
 - MANUAL FORMULA-SELECT: The 20 formula keypad allows non-microprocessor laundry machines to have specific formulas for various soil classifications.
 - ABS enclosure with formula-select keypad and display



ATLAS

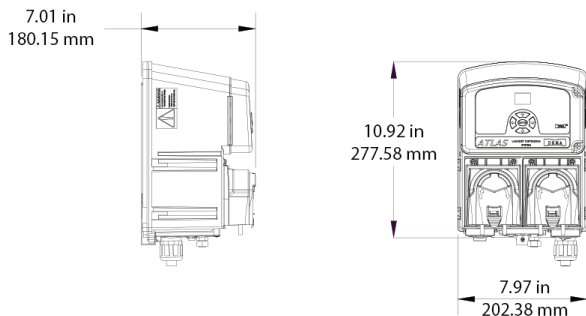
Additional Features & Benefits

- Modular design that accommodates from 2-7 pumps or 6 pumps with a flush manifold
- Two quick change pump options for regular or large volume
- Multiple tube options to handle virtually any chemistry
- Quick connect John Guest or barb connection options
- Optional USM formula remote for user formula selection
- Separate stand alone EDSM remote for programming and formula storage plus for formula selection
- Data collection and reporting capable through optional Data Grip

EDSM II and Data Grip Hand Held Remotes for Atlas

The EDSM II is a hand held remote required to program the Atlas dispensers and can also be used as an end user formula select with 30 formula capability. The EDSM II can be customized with formula names, has multi-language programming and is password protected. The EDSM II can store up to 8 folders each containing 30 formulas. The folders can be loaded into any ATLAS.

Data Grip is a hand held data collection system designed for use with the Atlas and in place of the EDSM II. Data Grip's portable design is ideal for periodic monitoring, audits and troubleshooting problem accounts and can be used as the primary formula selector in place EDSM or USM. Data Grip features multi-language display and reports in English, Spanish, French and Portuguese. It calculates product usage, product cost and formula costs in fluid ounces gallons and pounds or milliliters, liters and kilograms. Data Grip has three different time period reports available – Date to Date, Billing Date and Billing Cycle. Reports are in a concise printable form which are downloaded via a USB port and USB device.



SPECIFICATIONS

Main Power	100V - 240V 50/60 Hz 1.5A
Motor/Solenoid Rating	24VDC
Case	High Impact
Environmental Temperature	32° - 122°F

ORDERING INFO

844P.4JJJJ.V.U

844P.4JJJJ.U

844P.5JJJJ.V.U

844P.5JJJJ.U

Controller

844P = Atlas Dispenser

Pump

4JJJJ = Number & Style of Liquid Pumps

5JJJJ = Number & Style of Liquid Pumps

Valve

V = Flush Manifold Valve

Select Module

U = User Formula Select Module

DEMA Engineering Company



10020 Big Bend Blvd.
St. Louis, MO 63122 U.S.A
Tel: 1-800-325-3362
Fax: 314-965-8319



www.demaeng.com



sales@demaeng.com